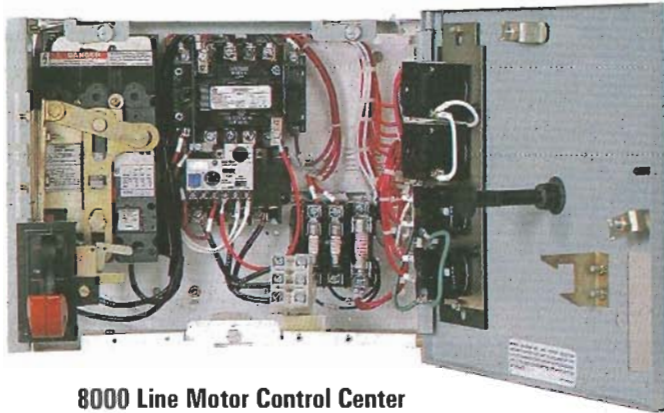




Solid-State Overload Relays

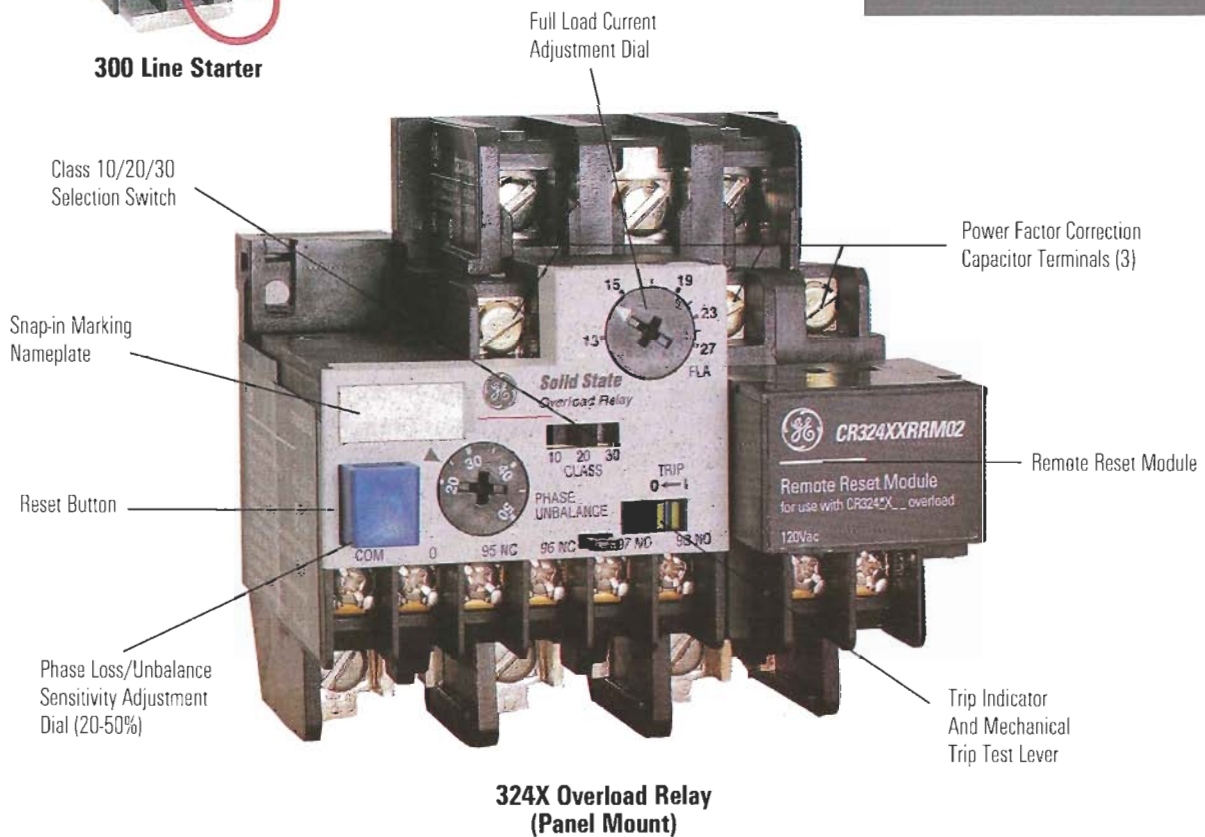
- 2:1 current adjustment allows greater flexibility, eliminating added cost and inconvenience of heaters
- Provides selectable class 10, 20 or 30 motor overload protection with high accuracy and repeatability
- Offers phase current loss protection (standard), and protects against current phase unbalance from 20 - 50% while tripping in 3 - 5 seconds
- Enhances the functionality of the GE 300-Line of NEMA motor starters from size 1 to 6, and includes a panel-mount version in sizes 1 to 4
- Interchangeable with the existing CR324 Series of GE bi-metallic overloads



8000 Line Motor Control Center

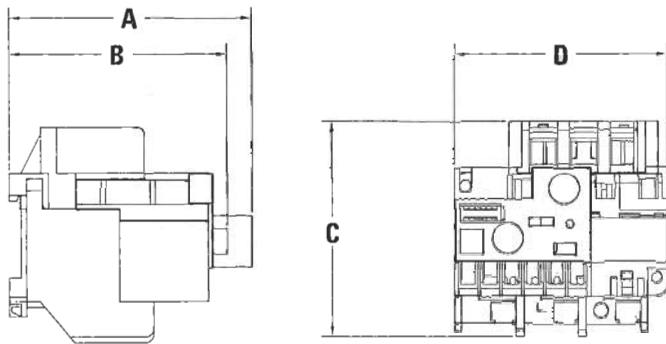


300 Line Starter



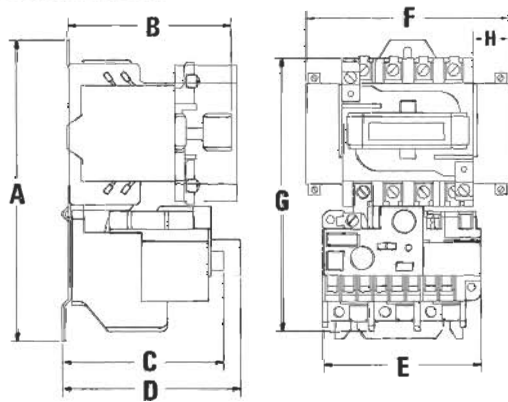
Solid-State Overload Relays

Panel Mount



Size	A*	B	C	D
1	4.11	3.77	3.60	3.70
2	4.11	3.77	3.60	3.70
3	5.60	5.26	5.06	6.25
4	5.60	5.26	5.06	6.25

Open NEMA Starter



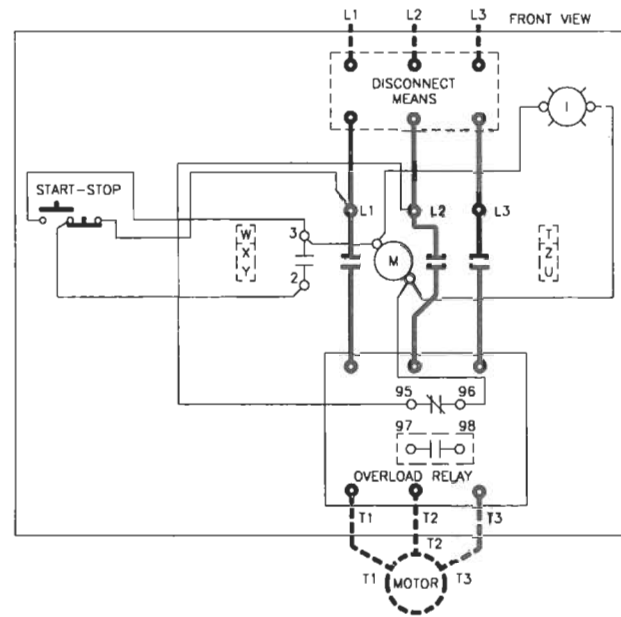
Size	A	B	C	D*	E	F*	G	H*
1	7.00	3.63	3.94	3.92	3.70	4.76	6.50	.84
2	9.12	4.57	5.50	4.91	3.70	5.44	8.50	.84
3	11.62	5.32	6.50	5.66	6.24	7.50	10.62	.88
4	11.62	5.32	6.50	5.66	6.24	7.50	10.62	.88

* If used

	Current Ranges Available												
	0.4-0.85	0.8-1.7	1.6-3.4	3.2-6.8	6.5-13.5	13-27	25-50	17-35	35-70	65-135	130-270	260-540	
Size 1													
Size 2													
Size 3*													
Size 4													
Size 5													
Size 6													

* Size 3, 90 amps max.

Typical 3-Phase Diagram



Technical Features — Solid-State Overload

- 2:1 Adjustable full load amps with tactile feedback dial
- Selectable 10, 20, 30 protection class
- Ambient insensitive within the stated operating temperature range of -20°C to $+70^{\circ}\text{C}$
- Built-in thermal memory to prevent hot motor restarts
- Protection against complete phase current loss
- Phase current unbalance: adjustable 20-50%
- Manual reset (standard) and remote reset (optional) 24 Vdc or 120 Vac
- Trip repeatability: $\pm 2\%$
- Self-powered @ 50% of minimum current range
- Size: 1-6 (0.40A-540A, 600V, 50/60 Hz)
- Unbalance trip signal for PLC operation
- Manual trip (weld check)
- Visual trip indication
- Standard isolated 1 NO and 1 NC aux. contact
- Built-in line/load straps
- Fits with existing 300 Line Starters
- Power factor correction terminals (size 1-4)
- DIN rail mountable (size 1 & 2)

For additional information, contact your local ED&C Sales office.



GE Electrical Distribution & Control

General Electric Company
41 Woodford Ave., Plainville, CT 06062
© 1995 General Electric Company
DET-070A 0595 MABL

