

Safety Light Curtains

Hand resolution SB4M-30 Series

CARLO GAVAZZI



- Safety Category 4
- Resolution 30 mm (hand)
- Protected height 180-1650 mm
- External Device Monitoring (EDM)
- Fixed Blanking and Floating Blanking
- Cascade configuration
- Auto/Manual restart selectable
- Status/failure diagnosis by LED's
- Easy alignment and installation
- Compact profile
- Approvals:



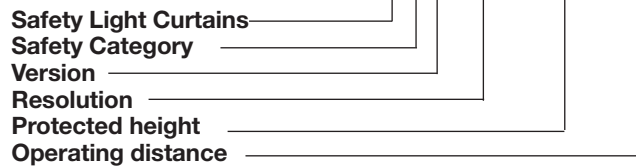
Product Description

Safety category 4 light curtains according to IEC 61496-1 and IEC 61496-2. The SB4M-30 series is featured by hand resolution and is provided with External Device Monitoring which allows to utilize these light curtains without external safety control unit. The Blanking function - Fixed or Floating mode selectable - is used in those

applications where material passage or mechanical obstacle presence must not cause machine interruption. The cascade connection allows to combine the functioning of two light curtains-master and slave- placed in different positions. The dip-switches placed in the slot provided in the receiving unit allow quick and safe configuration.

Ordering Key

SB4M-30/180-D15



Type Selection

Protected height (mm)	Overall height (mm)	Number of beams	Response time (ms)(Master)	Ordering no. Master	Ordering no. Slave
180 (7.1 in.)	256	8	16	SB4M30180D15	SB4N30180D15
327 (12.9 in.)	403	16	20	SB4M30327D15	SB4N30327D15
474 (18.7 in.)	550	24	23	SB4M30474D15	SB4N30474D15
621 (24.4 in.)	697	32	25	SB4M30621D15	SB4N30621D15
768 (30.2 in.)	844	40	27	SB4M30768D15	SB4N30768D15
915 (36.0 in.)	991	48	30	SB4M30915D15	SB4N30915D15
1062 (41.8 in.)	1138	56	32	SB4M301062D15	SB4N301062D15
1209 (47.6 in.)	1285	64	35	SB4M301209D15	SB4N301209D15
1356 (53.4 in.)	1432	72	38	SB4M301356D15	SB4N301356D15
1503 (59.2 in.)	1579	80	40	SB4M301503D15	SB4N301503D15
1650 (65.0 in.)	1726	88	43	SB4M301650D15	SB4N301650D156

General Specifications

Safety category	type 4	Resolution	30 mm
Operating distance	0,2.....15 m	Functions (Master unit)	EDM, fixed / floating BLANKING, CASCADE Automatic/manual restart

Electrical Specifications

Power supply	24 Vdc ± 20%	Light emission	Infrared (880 nm)
Emitter consumption	55 mA max	Output function	2 PNP
Receiver consumption	125 mA max (no load)	Output current	0.5 A max (single output)



Environmental Specifications

Operating temperature

-10 ÷ + 55°C

Storage temperature

-25 ÷ + 70°C

Mechanical Specifications

Receiver connection

M12 8-poles Standard cable length 3, 5 or 10 m

Protection degree

IP 65

Emitter connection

M12 4-poles Standard cable length 3, 5 or 10 m

Housing material

Painted aluminium (yellow Ral 1003)

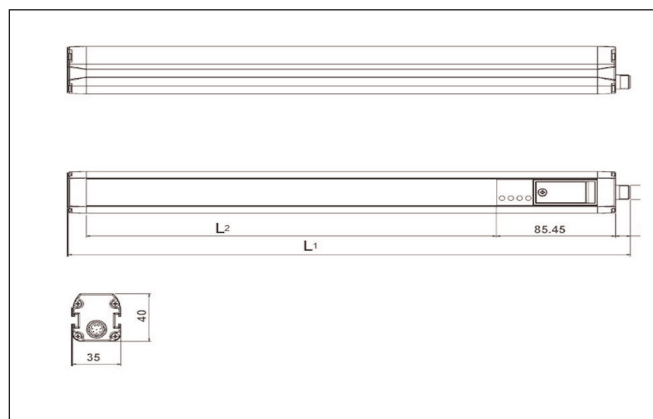
Master/Slave connection

M12 5-poles Standard cable length 0,5 m (included in slave unit package)

Weight

1.2 Kg max/m of total height

Dimensions



MODELL	L1 (mm)	L2 (mm)
SB4y-30/180-D15	256	147
SB4y-30/327-D15	403	294
SB4y-30/474-D15	550	441
SB4y-30/621-D15	697	588
SB4y-30/768-D15	844	735
SB4y-30/915-D15	991	882
SB4y-30/1062-D15	1138	1029
SB4y-30/1209-D15	1285	1176
SB4y-30/1356-D15	1432	1323
SB4y-30/1503-D15	1579	1470
SB4y-30/1650-D15	1726	1617

y = EDM/ Blanking/Cascade versions

Wiring Diagrams

