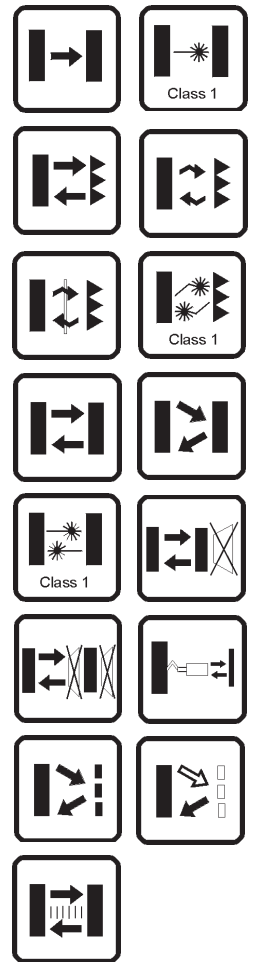


M18 MULTIFUNCTION OPTOELECTRONIC SENSORS



- Complete range of optic functions, universal, application and laser class 1
- Flat plastic tubular housing for improved versatility or metal cylindrical housing
- Versions with axial or radial optics, with fixed, trimmer or EASYtouch™ teach-in adjustment
- Cable or M12 connection with EN standard NPN or PNP NO-NC configuration



one for all

S50 SERIES

The **S50** series offers all optical functions within a M18 housing.

With the universal sensing functions of proximity, polarised retroreflex and through beam, which are also available with class 1 laser emission, as well as the more advanced functions of background suppression, background/foreground suppression, analogue displacement, contrast and luminescence, the **S50** really is one housing for all applications.

The **S50** setting is carried out by either by potentiometer, which is sealed to IP67, or using the patented *EASYtouch*™ push-button teach system, which gives rapid and precise automatic setting of the switching points.

The **S50** series is available both in flat plastic format ideal for M18 nut or screw mounting through the sensor body, as well as a cylindrical metal housing. Axial or radial optics are available in both housings with integral cable or M12 connection conforming to EN 60947-5-2, the European wiring standard. The performance, versatility and extensive optical sensing options, positions the **S50** series as the new bench mark for customers focused on the evolution of technology and development of standards.

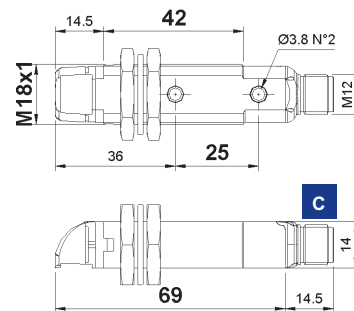
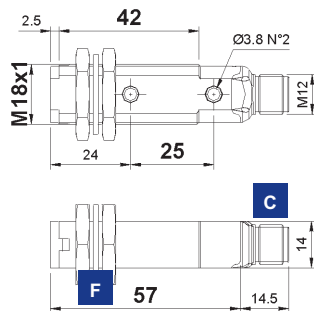
G/F THROUGH BEAM WITH INFRARED EMISSION

Longer operating distances can be obtained utilising separate emitter and receiver units. The infrared emission is modulated to avoid interference with other light sources and the emitter is fitted with test inputs for remote system interrogation.

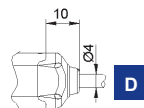
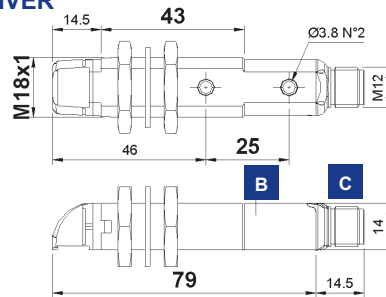
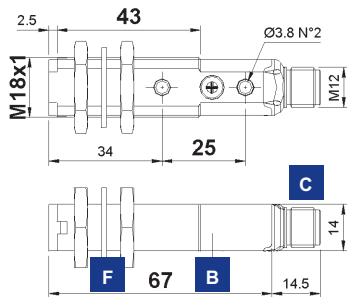


DIMENSIONS

EMITTER



RECEIVER



mm

INDICATORS AND SETTINGS

RADIAL OPTICS



- A** OUTPUT status and stability LEDs (receiver); power on LED (emitter)
- B** Adjustment trimmer (receiver)
- C** M12 connector output
- D** Cable output
- E** Fixing nuts
- F** Fixing gasket

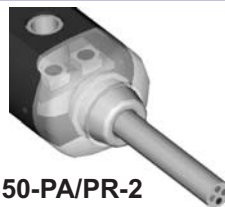
Single-turn trimmer for sensitivity adjustment. Rotate in a clockwise direction to increase the operating distance.

ACCESSORIES

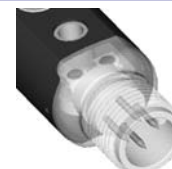
For dedicated accessories refer to the ACCESSORIES section of this catalogue.

Refer also to Connectors (A.03) and Fixing brackets (A.04) of the General Catalogue.

CONNECTIONS



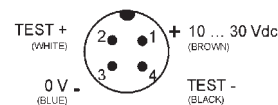
S50-PA/PR-2



S50-PA/PR-5

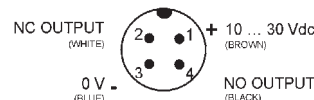
EMITTER

BROWN	1	+	10 ... 30 Vdc
WHITE	2		TEST +
BLACK	4		TEST -
BLUE	3	-	0 V



RECEIVER

BROWN	1	+	10 ... 30 Vdc
WHITE	2		NC OUTPUT
BLACK	4		NO OUTPUT
BLUE	3	-	0 V



Versions and options: refer to MODEL ALPHABETICAL INDEX of this catalogue.

TECHNICAL DATA

	S50-PA-2-F01-NN	S50-PA-2-F01-PP	S50-PA-2-G00-XG	S50-PR-2-F01-NN	S50-PR-2-F01-PP	S50-PR-2-G00-XG	S50-PA-5-F01-NN	S50-PA-5-F01-PP	S50-PA-5-G00-XG	S50-PR-5-F01-NN	S50-PR-5-F01-PP	S50-PR-5-G00-XG
Operating distance:												
axial optics	0 ... 30 m											
radial optics	0 ... 25 m											
Power supply:	10 ... 30 Vdc ¹											
Ripple:	2 Vpp											
Consumption:												
emitter	35 mA											
receiver	30 mA											
Light emission:	infrared LED 880 nm ²											
Spot dimension:												
axial optics	approx. 500 mm at 15 m											
radial optics	approx. 470 mm at 10 m											
Setting:	sensitivity trimmer ³											
Indicators:												
	yellow OUTPUT LED											
	green STABILITY LED											
	green POWER ON LED											
Output type:												
	PNP, NO and NC											
	NPN, NO and NC											
Output current:	100 mA											
Saturation voltage:	2 V											
Response time:	2 ms											
Switching frequency:	250 Hz											
Operating mode:	dark on NO / light on NC											
Auxiliary functions:	Test + and Test - ⁴											
Connection:												
	2 m Ø 4 mm cable ⁵											
	M12 4-pole connector ⁶											
Electrical protection:	class 2											
Mechanical protection:	IP67											
Protection devices:	A, B ⁷											
Housing material:	PBT											
Lens material:	PMMA											
Weight:												
	75 g max.											
	25 g max.											
Operating temperature:	-25 ... +55°C											
Storage temperature:	-25 ... +70°C											
Reference standard:	EN 60947-5-2											

SELECTION TABLE

receiver - axial optics - 2 m cable		
S50-PA-2-F01-NN	952001660	NPN
S50-PA-2-F01-PP	952001150	PNP
emitter - axial optics - 2 m cable		
S50-PA-2-G00-XG	952001190	
receiver - radial optics - 2 m cable		
S50-PR-2-F01-NN	952001820	NPN
S50-PR-2-F01-PP	952001170	PNP
emitter - radial optics - 2 m cable		
S50-PR-2-G00-XG	952001210	
receiver - axial optics - M12 connector		
S50-PA-5-F01-NN	952001550	NPN
S50-PA-5-F01-PP	952001160	PNP
emitter - axial optics - M12 connector		
S50-PA-5-G00-XG	952001200	
receiver - radial optics - M12 connector		
S50-PR-5-F01-NN	952001760	NPN
S50-PR-5-F01-PP	952001180	PNP
emitter - radial optics - M12 connector		
S50-PR-5-G00-XG	952001220	

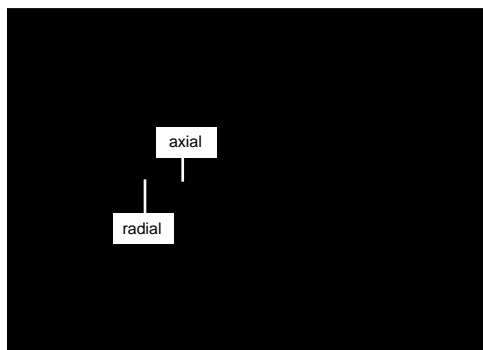
TECHNICAL NOTES

- 1 Limit values
- 2 Average life of 100.000 h with T_A = +25 °C
- 3 270° single-turn trimmer
- 4 Emitter off with Test+ on Vdc and Test- on 0 V
- 5 PVC, 4 x 0.14 mm²
- 6 Compatible with quick connection systems
- 7 A - reverse polarity protection
B - overload and short-circuit protection on receiver outputs

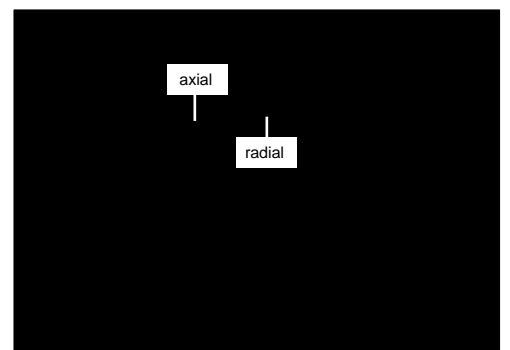
DETECTION DIAGRAMS

axial			25	30
radial		20	25	

■ maximum operating distance



Excess gain



Detection area

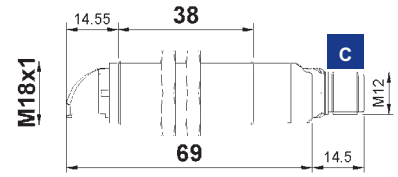
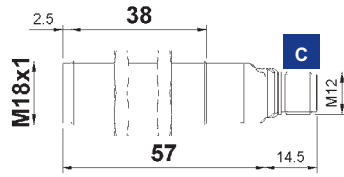
G/F THROUGH BEAM WITH INFRARED EMISSION

Longer operating distances can be obtained utilising separate emitter and receiver units. The infrared emission is modulated to avoid interference with other light sources and the emitter is fitted with test inputs for remote system interrogation.

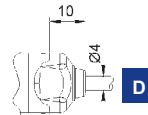
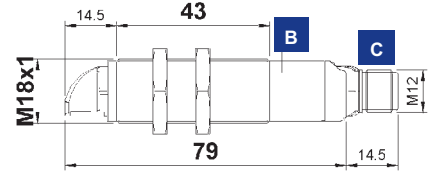
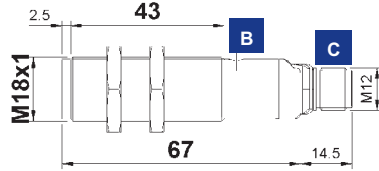


DIMENSIONS

EMITTER



RECEIVER



mm

RADIAL OPTICS



INDICATORS AND SETTINGS



- A** OUTPUT status and STABILITY LEDs (receiver); power on LED (emitter)
- B** Adjustment trimmer (receiver)
- C** M12 connector output
- D** Cable output
- E** Fixing nuts

Single-turn trimmer for sensitivity adjustment. Rotate in a clockwise direction to increase the operating distance.

ACCESSORIES

For dedicated accessories refer to the ACCESSORIES section of this catalogue.

Refer also to Connectors (A.03) and Fixing brackets (A.04) of the General Catalogue.

CONNECTIONS



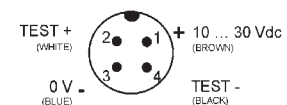
S50-MA/MR-2

BROWN	1	+	10 ... 30 Vdc
WHITE	2		TEST +
BLACK	4		TEST -
BLUE	3	-	0 V

BROWN	1	+	10 ... 30 Vdc
WHITE	2		NC OUTPUT
BLACK	4		NO OUTPUT
BLUE	3	-	0 V

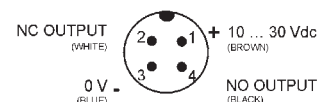


S50-MA/MR-5



EMITTER

RECEIVER



Versions and options: refer to MODEL ALPHABETICAL INDEX of this catalogue.

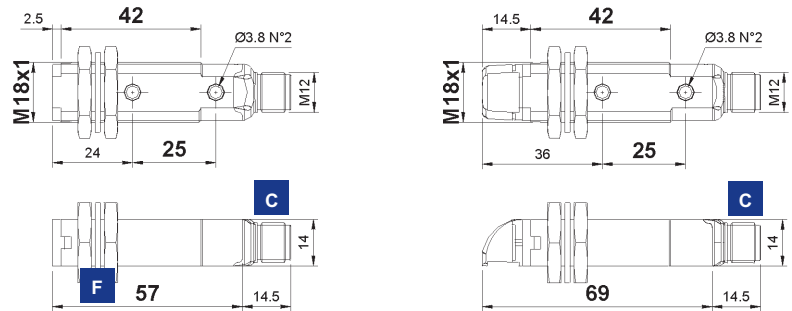
L-G/F LASER THROUGH BEAM WITH RED EMISSION

The high operating distance typical of emitter and receiver pairs is notably increased thanks to the use of visible red laser emission. The laser beam can be easily aligned and offers excellent detection resolution of even small objects. The class 1 laser emission guarantees maximum safety for the operators in all applications.

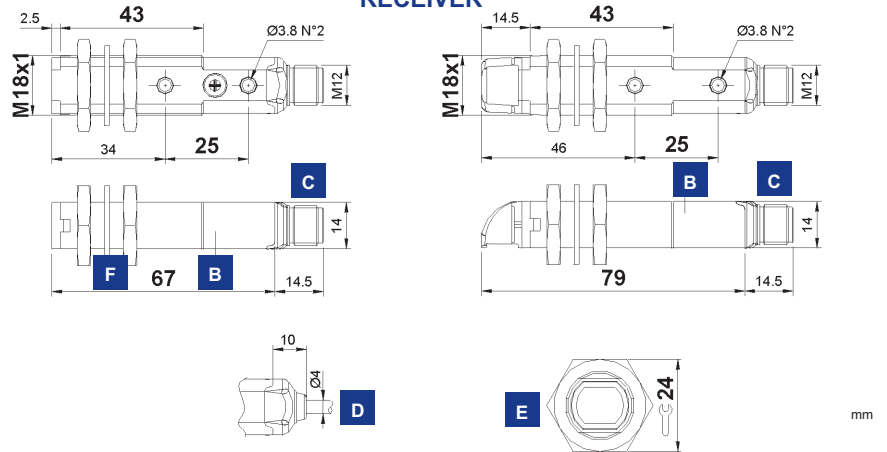


DIMENSIONS

EMITTER



RECEIVER



RADIAL OPTICS



INDICATORS AND SETTINGS



- A** OUTPUT status and power on LEDs
- B** Adjustment trimmer (receiver)
- C** M12 connector output
- D** Cable output
- E** Fixing nuts
- F** Fixing gasket

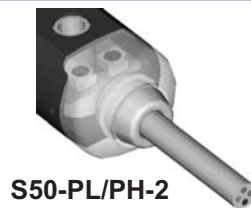
Single-turn trimmer for sensitivity adjustment. Rotate in a clockwise direction to increase the operating distance. Decrease sensitivity to increase resolution.

ACCESSORIES

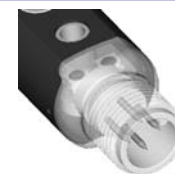
For dedicated accessories refer to the ACCESSORIES section of this catalogue.

Refer also to Connectors (A.03) and Fixing brackets (A.04) of the General Catalogue.

CONNECTIONS

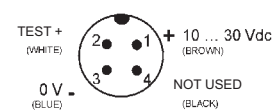
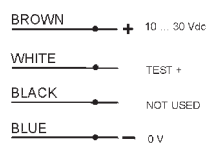


S50-PL/PH-2

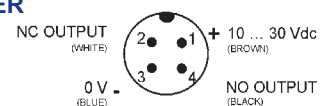
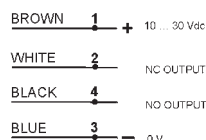


S50-PL/PH-5

EMITTER



RECEIVER



TECHNICAL DATA

	S50-PL-2-G00-XG	S50-PL-2-F01-NN	S50-PL-2-F01-PP	S50-PL-5-G00-XG	S50-PL-5-F01-NN	S50-PL-5-F01-PP	S50-PH-2-G00-XG	S50-PH-2-F01-NN	S50-PH-2-F01-PP	S50-PH-5-G00-XG	S50-PH-5-F01-NN	S50-PH-5-F01-PP
Operating distance:												
axial optics	●	●	●	●	●	●	●	●	●	●	●	●
radial optics	●	●	●	●	●	●	●	●	●	●	●	●
Power supply:	10 ... 30 Vdc ¹											
Ripple:	≤ 2 Vpp											
Consumption:												
emitter	●	●	●	●	●	●	●	●	●	●	●	●
receiver	●	●	●	●	●	●	●	●	●	●	●	●
Light emission:												
	●	●	●	●	●	●	●	●	●	●	●	●
	●	●	●	●	●	●	●	●	●	●	●	●
	●	●	●	●	●	●	●	●	●	●	●	●
Resolution:												
	●	●	●	●	●	●	●	●	●	●	●	●
	●	●	●	●	●	●	●	●	●	●	●	●
	●	●	●	●	●	●	●	●	●	●	●	●
Setting:	sensitivity trimmer ³											
Indicators:												
	●	●	●	●	●	●	●	●	●	●	●	●
	●	●	●	●	●	●	●	●	●	●	●	●
Output type:												
	●	●	●	●	●	●	●	●	●	●	●	●
	●	●	●	●	●	●	●	●	●	●	●	●
Output current:	≤ 100 mA											
Saturation voltage:	≤ 2 V											
Response time:	333 μs											
Switching frequency:	1.5 kHz											
Operating mode:	dark on NO / light on NC											
Auxiliary functions:	Test + ⁴											
Connection:												
	●	●	●	●	●	●	●	●	●	●	●	●
	●	●	●	●	●	●	●	●	●	●	●	●
Electrical protection:	class 2											
Mechanical protection:	IP67											
Protection devices:	A, B ⁷											
Housing material:	PBT											
Lens material:	PMMA / glass											
Weight:												
	●	●	●	●	●	●	●	●	●	●	●	●
	●	●	●	●	●	●	●	●	●	●	●	●
Operating temperature:	-10 ... +50°C											
Storage temperature:	-25 ... +70°C											
Reference standard:	EN 60947-5-2, EN 60825-1, CDRH21 CFR 1040.10											



SELECTION TABLE

emitter - axial optics - 2 m cable		
S50-PL-2-G00-XG	952001420	
receiver - axial optics - 2 m cable		
S50-PL-2-F01-NN	952001890	NPN
S50-PL-2-F01-PP	952001400	PNP
emitter - radial optics - 2 m cable		
S50-PH-2-G00-XG	952002060	
receiver - radial optics - 2 m cable		
S50-PH-2-F01-NN	952002030	NPN
S50-PH-2-F01-PP	952002020	PNP
emitter - axial optics - M12 connector		
S50-PL-5-G00-XG	952001430	
receiver - axial optics - M12 connector		
S50-PL-5-F01-NN	952001860	NPN
S50-PL-5-F01-PP	952001410	PNP
emitter - radial optics - M12 connector		
S50-PH-5-G00-XG	952002070	
receiver - radial optics - M12 connector		
S50-PH-5-F01-NN	952002050	NPN
S50-PH-5-F01-PP	952002040	PNP

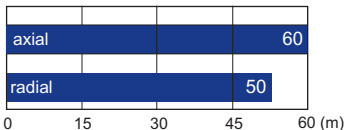
All the ordering codes and information are summarised in the last pages of this catalogue.

TECHNICAL NOTES

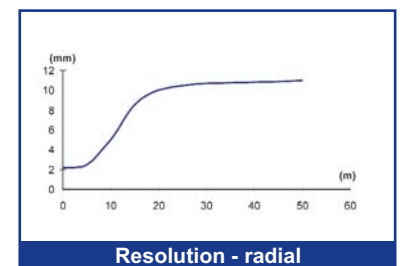
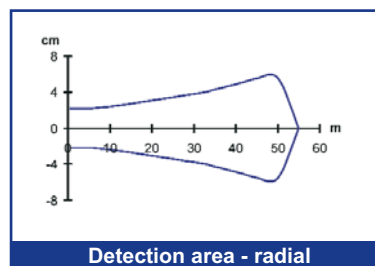
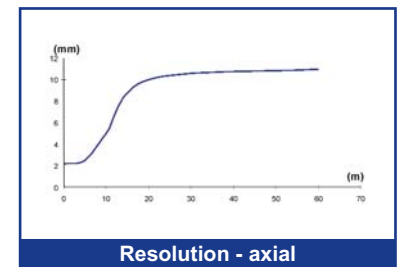
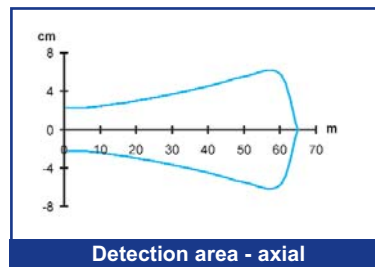
- Limit values
- Average life of 50.000 h with $T_A = +25^\circ\text{C}$
- 270° single-turn trimmer
- Emitter off with Test+ connected to +Vcc
Emitter on with Test+ not connected or connected to 0V
- PVC, 4 x 0.14 mm²
- Compatible with quick connection systems
- A - reverse polarity protection
B - overload and short-circuit protection on receiver outputs

The use of the MICRO-18 fixing bracket (cod. 95ACC1380) is recommended for the correct optic axis alignment of the laser emission.

DETECTION DIAGRAMS



■ Operating distance



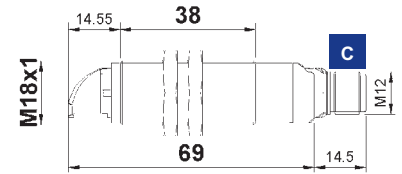
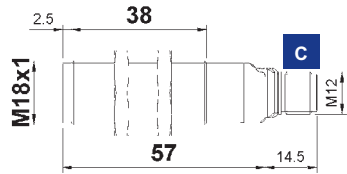
L-G/F LASER THROUGH BEAM WITH RED EMISSION

The high operating distance typical of emitter and receiver pairs is notably increased thanks to the use of visible red laser emission. The laser beam can be easily aligned and offers excellent detection resolution of even small objects. The class 1 laser emission guarantees maximum safety for the operators in all applications.

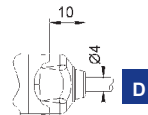
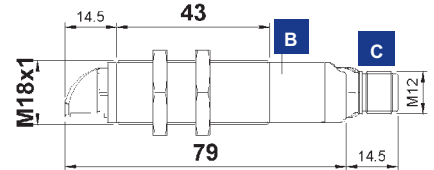
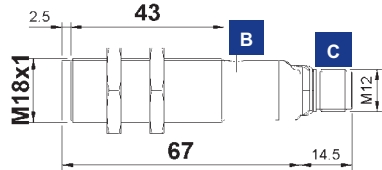


DIMENSIONS

EMITTER



RECEIVER



mm

RADIAL OPTICS



INDICATORS AND SETTINGS



- A** OUTPUT status and power on LEDs
- B** Adjustment trimmer (receiver)
- C** M12 connector output
- D** Cable output
- E** Fixing nuts
- F** Fixing gasket

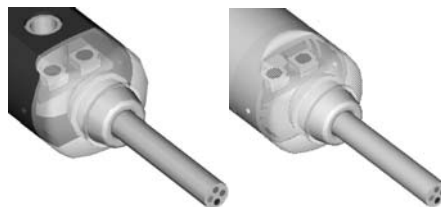
Single-turn trimmer for sensitivity adjustment. Rotate in a clockwise direction to increase the operating distance. Decrease sensitivity to increase resolution.

ACCESSORIES

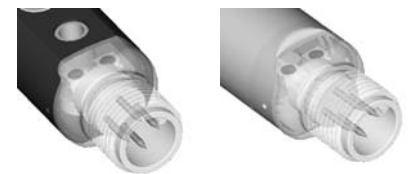
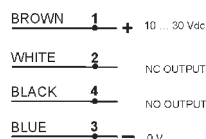
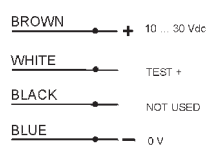
For dedicated accessories refer to the **ACCESSORIES** section of this catalogue.

Refer also to **Connectors (A.03)** and **Fixing brackets (A.04)** of the **General Catalogue**.

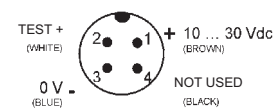
CONNECTIONS



S50-ML/MH-2

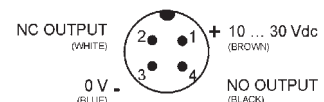


S50-ML/MH-5



EMITTER

RECEIVER



Versions and options: refer to **MODEL ALPHABETICAL INDEX** of this catalogue.

TECHNICAL DATA

		S50-ML-2-G00-XG	S50-ML-2-F01-NN	S50-ML-2-F01-PP	S50-ML-5-G00-XG	S50-ML-5-F01-NN	S50-ML-5-F01-PP	S50-MH-2-G00-XG	S50-MH-2-F01-NN	S50-MH-2-F01-PP	S50-MH-5-G00-XG	S50-MH-5-F01-NN	S50-MH-5-F01-PP
Operating distance:													
	axial optics	●	●	●	●	●	●	●	●	●	●	●	●
	radial optics	●	●	●	●	●	●	●	●	●	●	●	●
Power supply:	10 ... 30 Vdc ¹	●	●	●	●	●	●	●	●	●	●	●	●
Ripple:	≤ 2 Vpp	●	●	●	●	●	●	●	●	●	●	●	●
Consumption:													
	emitter ≤ 35 mA	●	●	●	●	●	●	●	●	●	●	●	●
	receiver ≤ 30 mA	●	●	●	●	●	●	●	●	●	●	●	●
Light emission:													
	red Laser 650 nm ²	●	●	●	●	●	●	●	●	●	●	●	●
	class 1 EN 60825-1												
	class II CDRH21 CFR 1040.10												
Resolution:													
	approx. 2.5 mm at 5 m	●	●	●	●	●	●	●	●	●	●	●	●
	approx. 5 mm at 10 m	●	●	●	●	●	●	●	●	●	●	●	●
	approx. 10 mm over 20 m	●	●	●	●	●	●	●	●	●	●	●	●
Setting:	sensitivity trimmer ³	●	●	●	●	●	●	●	●	●	●	●	●
Indicators:													
	yellow OUTPUT LED	●	●	●	●	●	●	●	●	●	●	●	●
	green POWER ON LED	●	●	●	●	●	●	●	●	●	●	●	●
Output type:													
	PNP, NO and NC		●			●		●		●		●	
	NPN, NO and NC		●			●		●		●		●	
Output current:	≤ 100 mA	●	●	●	●	●	●	●	●	●	●	●	●
Saturation voltage:	≤ 2 V	●	●	●	●	●	●	●	●	●	●	●	●
Response time:	333 μs	●	●	●	●	●	●	●	●	●	●	●	●
Switching frequency:	1.5 kHz	●	●	●	●	●	●	●	●	●	●	●	●
Operating mode:	dark on NO / light on NC	●	●	●	●	●	●	●	●	●	●	●	●
Auxiliary functions:	Test + ⁴	●	●	●	●	●	●	●	●	●	●	●	●
Connection:													
	2 m Ø 4 mm cable ⁵	●	●	●	●	●	●	●	●	●	●	●	●
	M12 4-pole connector ⁶	●	●	●	●	●	●	●	●	●	●	●	●
Electrical protection:	class 2	●	●	●	●	●	●	●	●	●	●	●	●
Mechanical protection:	IP67	●	●	●	●	●	●	●	●	●	●	●	●
Protection devices:	A, B ⁷	●	●	●	●	●	●	●	●	●	●	●	●
Housing material:	nickel plated brass	●	●	●	●	●	●	●	●	●	●	●	●
Lens material:	PMMA / glass	●	●	●	●	●	●	●	●	●	●	●	●
Weight:													
	75 g max.	●	●	●	●	●	●	●	●	●	●	●	●
	25 g max.				●	●	●	●	●	●	●	●	●
Operating temperature:	-10 ... +50°C	●	●	●	●	●	●	●	●	●	●	●	●
Storage temperature:	-25 ... +70°C	●	●	●	●	●	●	●	●	●	●	●	●
Reference standard:	EN 60947-5-2, EN 60825-1, CDRH21 CFR 1040.10	●	●	●	●	●	●	●	●	●	●	●	●

SELECTION TABLE

emitter - axial optics - 2 m cable		
S50-ML-2-G00-XG	952021430	
receiver - axial optics - 2 m cable		
S50-ML-2-F01-NN	952021840	NPN
S50-ML-2-F01-PP	952021420	PNP
emitter - radial optics - 2 m cable		
S50-MH-2-G00-XG	952022060	
receiver - radial optics - 2 m cable		
S50-MH-2-F01-NN	952022030	NPN
S50-MH-2-F01-PP	952022020	PNP
emitter - axial optics - M12 connector		
S50-ML-5-G00-XG	952021470	
receiver - axial optics - M12 connector		
S50-ML-5-F01-NN	952021870	NPN
S50-ML-5-F01-PP	952021460	PNP
emitter - radial optics - M12 connector		
S50-MH-5-G00-XG	952022070	
receiver - radial optics - M12 connector		
S50-MH-5-F01-NN	952022050	NPN
S50-MH-5-F01-PP	952022040	PNP

All the ordering codes and information are summarised in the last pages of this catalogue.

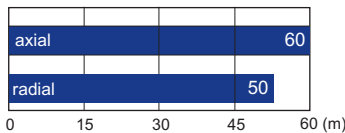
TECHNICAL NOTES

- Limit values
- Average life of 50.000 h with $T_A = +25^\circ\text{C}$
- 270° single-turn trimmer
- Emitter off with Test+ connected to +Vcc
Emitter on with Test+ not connected or connected to 0V
- PVC, 4 x 0.14 mm²
- Compatible with quick connection systems
- A - reverse polarity protection
B - overload and short-circuit protection on receiver outputs

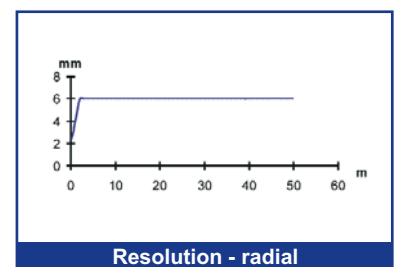
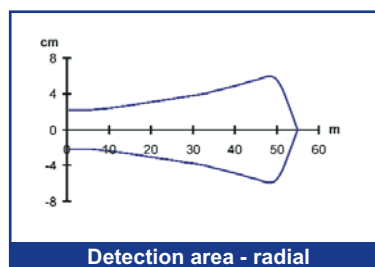
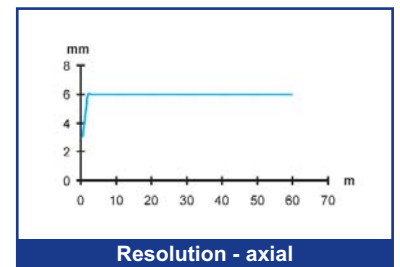
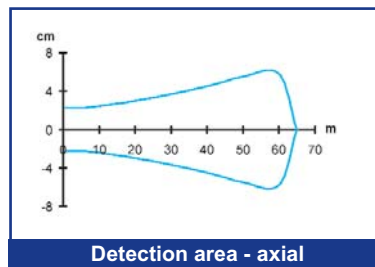
The use of the MICRO-18 fixing bracket (cod. 95ACC1380) is recommended for the correct optic axis alignment of the laser emission.



DETECTION DIAGRAMS



■ Operating distance



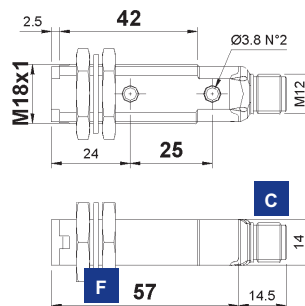
A RETROREFLEX WITH INFRARED EMISSION

With retroreflex sensors the object is detected when it interrupts the light beam generated between the sensor and its associated prismatic reflector. This retroreflex system, created between the sensor and the reflector, offers the advantage of electrically connecting one single unit instead of two, as in the emitter-receiver system.

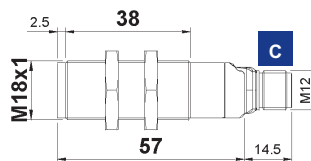


DIMENSIONS

PLASTIC HOUSING

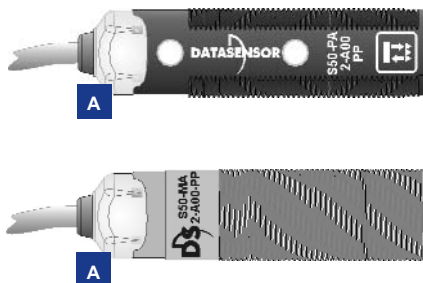


METAL HOUSING



mm

INDICATORS AND SETTINGS



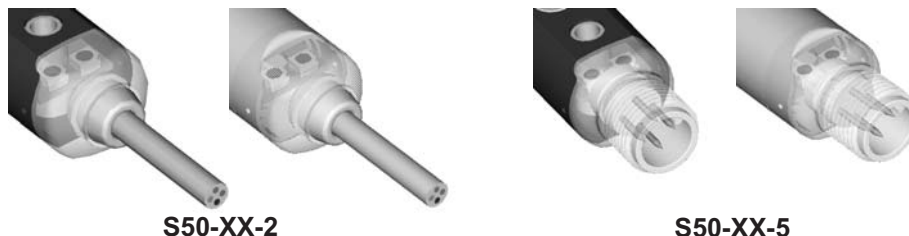
- A** OUTPUT status LED
- C** M12 connector output
- D** Cable output
- E** Fixing nuts
- F** Fixing gasket

ACCESSORIES

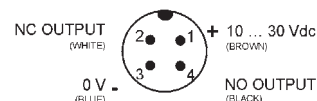
For dedicated accessories refer to the ACCESSORIES section of this catalogue.

Refer also to Connectors (A.03) and Fixing brackets (A.04) of the General Catalogue.

CONNECTIONS



BROWN	1	+	10 ... 30 Vdc
WHITE	2		NC OUTPUT
BLACK	4		NO OUTPUT
BLUE	3	-	0 V





TECHNICAL DATA

		S50-PA-2-A00-NN	S50-PA-2-A00-PP	S50-PA-5-A00-NN	S50-PA-5-A00-PP	S50-MA-2-A00-NN	S50-MA-5-A00-NN	S50-MA-5-A00-PP
Operating distance:	0.1 ... 5 m	●	●	●	●	●	●	●
Power supply:	10 ... 30 Vdc ¹	●	●	●	●	●	●	●
Ripple:	≤ 2 Vpp	●	●	●	●	●	●	●
Consumption:	≤ 35 mA	●	●	●	●	●	●	●
Light emission:	infrared LED 880 nm ²	●	●	●	●	●	●	●
Spot dimension:	approx. 100 mm at 2 m	●	●	●	●	●	●	●
Indicators:	yellow OUTPUT LED	●	●	●	●	●	●	●
Output type:	PNP, NO and NC		●		●		●	●
	NPN, NO and NC	●		●		●		●
Output current:	≤ 100 mA	●	●	●	●	●	●	●
Saturation voltage:	≤ 2 V	●	●	●	●	●	●	●
Response time:	0.5 ms	●	●	●	●	●	●	●
Switching frequency:	1 kHz	●	●	●	●	●	●	●
Operating mode:	dark on NO / light on NC	●	●	●	●	●	●	●
Connection:	2 m Ø 4 mm cable ³	●	●			●	●	
	M12 4-pole connector ⁴			●	●		●	●
Electrical protection:	class 2	●	●	●	●	●	●	●
Mechanical protection:	IP67	●	●	●	●	●	●	●
Protection devices:	A, B ⁵	●	●	●	●	●	●	●
Housing material:	PBT	●	●	●	●			
	nickel plated brass					●	●	●
Lens material:	PMMA	●	●	●	●	●	●	●
Weight:	75 g max.	●	●					
	25 g max.			●	●			
	110 g max.					●	●	
	60 g max.						●	●
Operating temperature:	-25 ... +55°C	●	●	●	●	●	●	●
Storage temperature:	-25 ... +70°C	●	●	●	●	●	●	●
Reference standard:	EN 60947-5-2	●	●	●	●	●	●	●

SELECTION TABLE

plastic - axial optics - 2 m cable

S50-PA-2-A00-NN	952002090	NPN
S50-PA-2-A00-PP	952002080	PNP

metal - axial optics - 2 m cable

S50-MA-2-A00-NN	952022090	NPN
S50-MA-2-A00-PP	952022080	PNP

plastic - axial optics - M12 connector

S50-PA-5-A00-NN	952002110	NPN
S50-PA-5-A00-PP	952002100	PNP

metal - axial optics - M12 connector

S50-MA-5-A00-NN	952022110	NPN
S50-MA-5-A00-PP	952022100	PNP

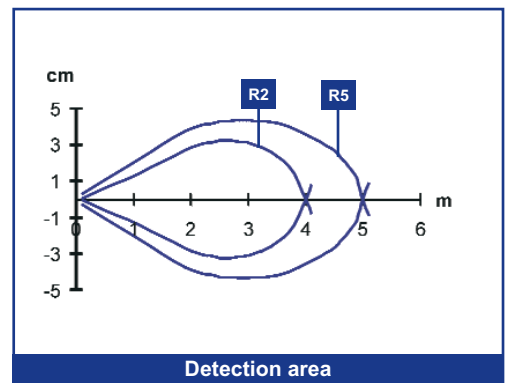
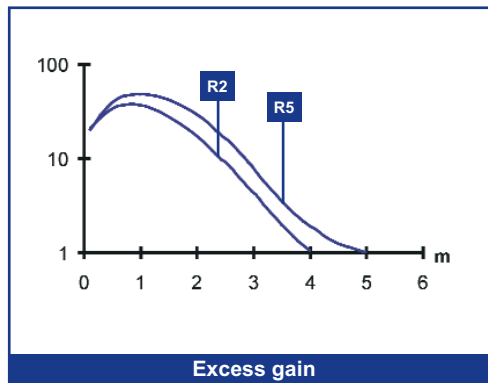
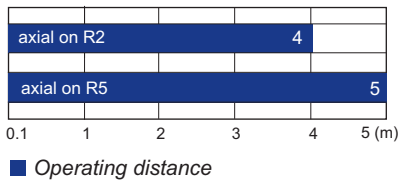
All the ordering codes and information are summarised in the last pages of this catalogue.

TECHNICAL NOTES

- ¹ Limit values
- ² Average life of 100.000 h with T_A = +25 °C
- ³ PVC, 4 x 0.14 mm²
- ⁴ Compatible with quick connection systems
- ⁵ A - reverse polarity protection
B - overload and short-circuit protection on the outputs



DETECTION DIAGRAMS





TECHNICAL DATA

		S50-PA-2-B01-NN	S50-PA-2-B01-PP	S50-PA-5-B01-NN	S50-PA-5-B01-PP	S50-PR-2-B01-NN	S50-PR-2-B01-PP	S50-PR-5-B01-NN	S50-PR-5-B01-PP	S50-MA-2-B01-NN	S50-MA-2-B01-PP	S50-MA-5-B01-NN	S50-MA-5-B01-PP	S50-MR-2-B01-NN	S50-MR-2-B01-PP	S50-MR-5-B01-NN	S50-MR-5-B01-PP
Operating distance:																	
	axial optics	0.1 ... 4.5 m	●	●	●					●	●	●					
	radial optics	0.1 ... 3 m				●	●	●	●				●	●	●	●	●
Power supply:	10 ... 30 Vdc ¹	●	●	●	●	●	●	●	●	●	●	●	●	●	●	●	●
Ripple:	≤ 2 Vpp	●	●	●	●	●	●	●	●	●	●	●	●	●	●	●	●
Consumption:	≤ 35 mA	●	●	●	●	●	●	●	●	●	●	●	●	●	●	●	●
Light emission:	red LED 660 nm ²	●	●	●	●	●	●	●	●	●	●	●	●	●	●	●	●
Spot dimension:																	
	axial optics	approx. 45 mm at 1 m	●	●	●					●	●	●					
	radial optics	approx. 60 mm at 2 m				●	●	●	●				●	●	●	●	●
Setting:	sensitivity trimmer ³	●	●	●	●	●	●	●	●	●	●	●	●	●	●	●	●
Indicators:																	
	yellow OUTPUT LED	●	●	●	●	●	●	●	●	●	●	●	●	●	●	●	●
	green STABILITY LED	●	●	●	●	●	●	●	●	●	●	●	●	●	●	●	●
Output type:																	
	PNP, NO and NC		●	●	●	●	●	●	●			●	●	●	●	●	●
	NPN, NO and NC	●	●	●	●	●	●	●	●	●	●	●	●	●	●	●	●
Output current:	≤ 100 mA	●	●	●	●	●	●	●	●	●	●	●	●	●	●	●	●
Saturation voltage:	≤ 2 V	●	●	●	●	●	●	●	●	●	●	●	●	●	●	●	●
Response time:	0.5 ms	●	●	●	●	●	●	●	●	●	●	●	●	●	●	●	●
Switching frequency:	1 kHz	●	●	●	●	●	●	●	●	●	●	●	●	●	●	●	●
Operating mode:	dark on NO / light on NC	●	●	●	●	●	●	●	●	●	●	●	●	●	●	●	●
Connection:																	
	2 m Ø 4 mm cable ⁴	●	●	●	●	●	●	●	●	●	●	●	●	●	●	●	●
	M12 4-pole connector ⁵			●	●	●	●	●	●			●	●	●	●	●	●
	class 2	●	●	●	●	●	●	●	●	●	●	●	●	●	●	●	●
Electrical protection:																	
Mechanical protection:	IP67	●	●	●	●	●	●	●	●	●	●	●	●	●	●	●	●
Protection devices:	A, B ⁶	●	●	●	●	●	●	●	●	●	●	●	●	●	●	●	●
Housing material:																	
	PBT	●	●	●	●	●	●	●	●								
	nickel plated brass									●	●	●	●	●	●	●	●
Lens material:	PMMA	●	●	●	●	●	●	●	●	●	●	●	●	●	●	●	●
Weight:																	
	75 g max.	●	●	●	●												
	25 g max.			●	●	●	●	●	●								
	110 g max.							●	●	●	●	●	●	●	●	●	●
	60 g max.											●	●	●	●	●	●
Operating temperature:	-25 ... +55°C	●	●	●	●	●	●	●	●	●	●	●	●	●	●	●	●
Storage temperature:	-25 ... +70°C	●	●	●	●	●	●	●	●	●	●	●	●	●	●	●	●
Reference standard:	EN 60947-5-2	●	●	●	●	●	●	●	●	●	●	●	●	●	●	●	●

SELECTION TABLE

plastic - axial optics - 2 m cable		
S50-PA-2-B01-NN	952001610	NPN
S50-PA-2-B01-PP	952001010	PNP

metal - axial optics - 2 m cable		
S50-MA-2-B01-NN	952021500	NPN
S50-MA-2-B01-PP	952021000	PNP

plastic - axial optics - M12 connector		
S50-PA-5-B01-NN	952001500	NPN
S50-PA-5-B01-PP	952001020	PNP

metal - axial optics - M12 connector		
S50-MA-5-B01-NN	952021660	NPN
S50-MA-5-B01-PP	952021200	PNP

plastic - radial optics - 2 m cable		
S50-PR-2-B01-NN	952001780	NPN
S50-PR-2-B01-PP	952001030	PNP

metal - radial optics - 2 m cable		
S50-MR-2-B01-NN	952021600	NPN
S50-MR-2-B01-PP	952021140	PNP

plastic - radial optics - M12 connector		
S50-PR-5-B01-NN	952001720	NPN
S50-PR-5-B01-PP	952001040	PNP

metal - radial optics - M12 connector		
S50-MR-5-B01-NN	952021760	NPN
S50-MR-5-B01-PP	952021340	PNP

All the ordering codes and information are summarised in the last pages of this catalogue.

TECHNICAL NOTES

- ¹ Limit values
- ² Average life of 100.000 h with T_A = +25 °C
- ³ 270° single-turn trimmer
- ⁴ PVC, 4 x 0.14 mm²
- ⁵ Compatible with quick connection systems
- ⁶ A - reverse polarity protection
B - overload and short-circuit protection on the outputs

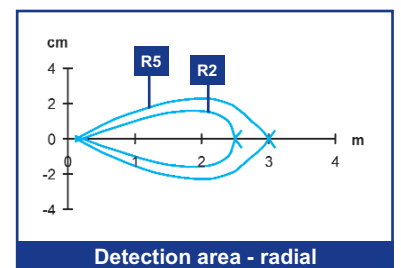
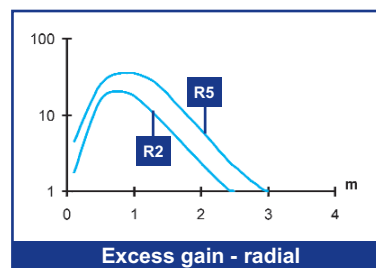
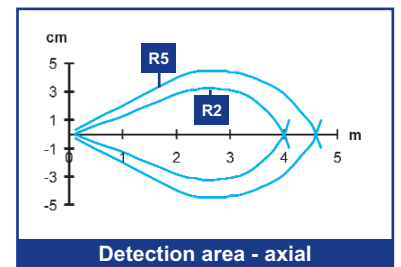
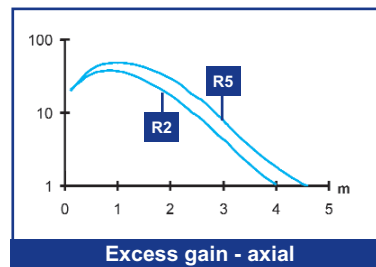


DETECTION DIAGRAMS

axial on R5				4	4.5
axial on R2			3.5	4	
radial on R5	2.5	3			
radial on R2	2	2.5			

■ Recommended operating distance
■ Maximum operating distance

High efficiency reflectors can be used to obtain larger operating distances. Refer to **Reflectors (A.01)** of the **General Catalogue**.



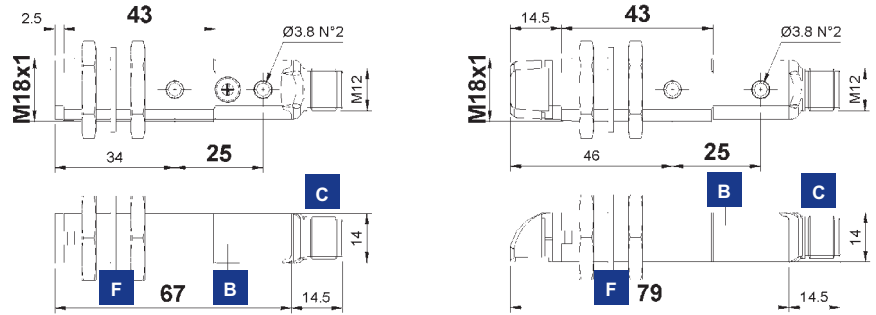
L-B LASER RETROREFLEX WITH RED EMISSION

The visible red laser emission increases the operating distance and resolution of the polarised retroreflex sensor. Specific R7 or R8 reflectors with 0.8 mm micro-prisms are available for high-resolution detection of small objects. The class 1 laser emission guarantees maximum safety for the operators in all applications.

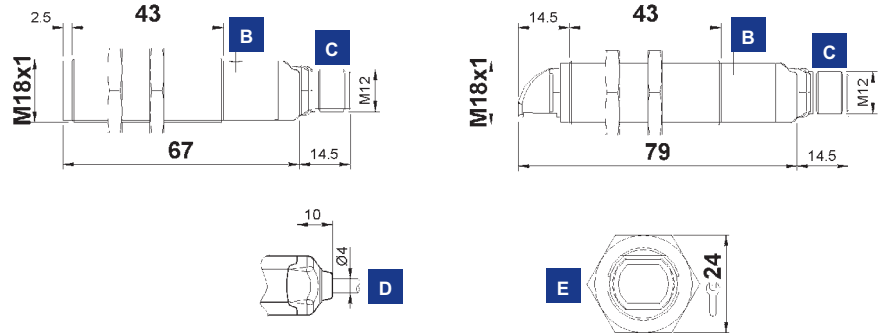


DIMENSIONS

PLASTIC HOUSING



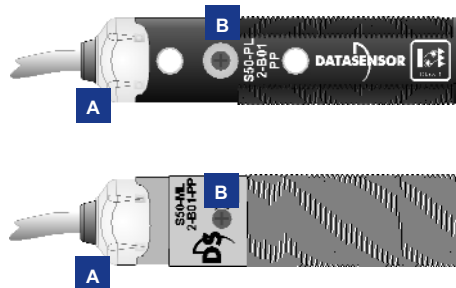
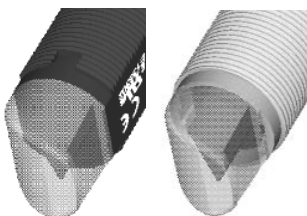
METAL HOUSING



mm

INDICATORS AND SETTINGS

RADIAL OPTICS



- A** OUTPUT status and STABILITY LEDs
- B** Adjustment trimmer
- C** M12 connector output
- D** Cable output
- E** Fixing nuts
- F** Fixing gasket

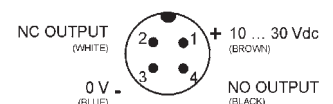
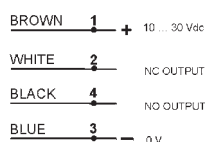
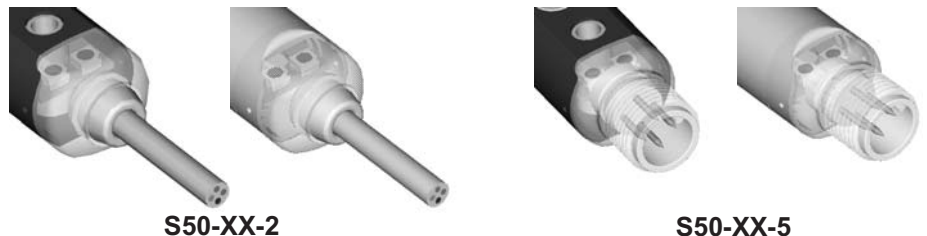
Single-turn trimmer for sensitivity adjustment. Rotate in a clockwise direction to increase the operating distance. Decrease sensitivity to increase resolution.

ACCESSORIES

For dedicated accessories refer to the **ACCESSORIES** section of this catalogue.

Refer also to **Reflectors (A.01)**, **Connectors (A.03)** and **Fixing brackets (A.04)** of the General Catalogue.

CONNECTIONS



TECHNICAL DATA

	S50-PL-2-B01-NN	S50-PL-2-B01-PP	S50-PH-2-B01-NN	S50-PH-2-B01-PP	S50-PL-5-B01-NN	S50-PL-5-B01-PP	S50-PH-5-B01-NN	S50-PH-5-B01-PP	S50-ML-2-B01-NN	S50-ML-2-B01-PP	S50-MH-2-B01-NN	S50-MH-2-B01-PP	S50-ML-5-B01-NN	S50-ML-5-B01-PP	S50-MH-5-B01-NN	S50-MH-5-B01-PP	
Operating distance:																	
axial optics	0.1 ... 16 m	•	•		•	•			•	•			•	•			
radial optics	0.1 ... 9 m			•	•		•	•			•	•			•	•	
Power supply:	10 ... 30 Vdc ¹	•	•	•	•	•	•	•	•	•	•	•	•	•	•	•	
Ripple:	≤ 2 Vpp	•	•	•	•	•	•	•	•	•	•	•	•	•	•	•	
Consumption:	≤ 35 mA	•	•	•	•	•	•	•	•	•	•	•	•	•	•	•	
Light emission:																	
	red Laser 650 nm ²	•	•	•	•	•	•	•	•	•	•	•	•	•	•	•	
	class 1 EN 60825-1																
	class II CDRH21 CFR 1040.10																
Resolution:																	
	2 mm max. at 3 m (on R7)	•	•	•	•	•	•	•	•	•	•	•	•	•	•	•	
	5 mm max. over 7 m (on R2)	•	•	•	•	•	•	•	•	•	•	•	•	•	•	•	
Setting:	sensitivity trimmer ³	•	•	•	•	•	•	•	•	•	•	•	•	•	•	•	
Indicators:																	
	yellow OUTPUT LED	•	•	•	•	•	•	•	•	•	•	•	•	•	•	•	
	green STABILITY LED	•	•	•	•	•	•	•	•	•	•	•	•	•	•	•	
Output type:																	
	PNP, NO and NC		•		•		•		•		•		•		•		
	NPN, NO and NC	•		•		•		•	•		•		•		•		
Output current:	≤ 100 mA	•	•	•	•	•	•	•	•	•	•	•	•	•	•	•	
Saturation voltage:	≤ 2 V	•	•	•	•	•	•	•	•	•	•	•	•	•	•	•	
Response time:	333 μs	•	•	•	•	•	•	•	•	•	•	•	•	•	•	•	
Switching frequency:	1.5 kHz	•	•	•	•	•	•	•	•	•	•	•	•	•	•	•	
Operating mode:	dark on NO / light on NC	•	•	•	•	•	•	•	•	•	•	•	•	•	•	•	
Connection:																	
	2 m Ø 4 mm cable ⁴	•	•		•	•			•	•			•	•			
	M12 4-pole connector ⁵	•	•	•	•	•	•	•	•	•	•	•	•	•	•	•	
Electrical protection:	class 2	•	•	•	•	•	•	•	•	•	•	•	•	•	•	•	
Mechanical protection:	IP67	•	•	•	•	•	•	•	•	•	•	•	•	•	•	•	
Protection devices:	A, B ⁶	•	•	•	•	•	•	•	•	•	•	•	•	•	•	•	
Housing material:																	
	PBT	•	•	•	•	•	•	•	•	•	•	•	•	•	•	•	
	nickel plated brass								•	•			•	•			
Lens material:	PMMA / glass	•	•	•	•	•	•	•	•	•	•	•	•	•	•	•	
Weight:																	
	75 g max.	•	•	•	•												
	25 g max.			•	•	•	•										
	110 g max.								•	•	•	•					
	60 g max.												•	•	•	•	
Operating temperature:	-10 ... +50°C	•	•	•	•	•	•	•	•	•	•	•	•	•	•	•	
Storage temperature:	-25 ... +70°C	•	•	•	•	•	•	•	•	•	•	•	•	•	•	•	
Reference standard:	EN 60947-5-2,	•	•	•	•	•	•	•	•	•	•	•	•	•	•	•	
	EN 60825-1, CDRH21 CFR 1040.10	•	•	•	•	•	•	•	•	•	•	•	•	•	•	•	



SELECTION TABLE

plastic - axial optics - 2 m cable		
S50-PL-2-B01-NN	952001870	NPN
S50-PL-2-B01-PP	952001360	PNP

plastic - radial optics - 2 m cable		
S50-PH-2-B01-NN	952001950	NPN
S50-PH-2-B01-PP	952001940	PNP

metal - axial optics - 2 m cable		
S50-ML-2-B01-NN	952021820	NPN
S50-ML-2-B01-PP	952021400	PNP

metal - radial optics - 2 m cable		
S50-MH-2-B01-NN	952021950	NPN
S50-MH-2-B01-PP	952021940	PNP

plastic -axial optics - M12 connector		
S50-PL-5-B01-NN	952001840	NPN
S50-PL-5-B01-PP	952001370	PNP

plastic -radial optics - M12 connector		
S50-PH-5-B01-NN	952001970	NPN
S50-PH-5-B01-PP	952001960	PNP

metal - axial optics - M12 connector		
S50-ML-5-B01-NN	952021850	NPN
S50-ML-5-B01-PP	952021440	PNP

metal - radial optics - M12 connector		
S50-MH-5-B01-NN	952021970	NPN
S50-MH-5-B01-PP	952021960	PNP

All the ordering codes and information are summarised in the last pages of this catalogue.

TECHNICAL NOTES

- ¹ Limit values
- ² Average life of 50.000 h with T_A = +25 °C
- ³ 270° single-turn trimmer
- ⁴ PVC, 4 x 0.14 mm²
- ⁵ Compatible with quick connection systems
- ⁶ A - reverse polarity protection
B - overload and short-circuit protection on the outputs

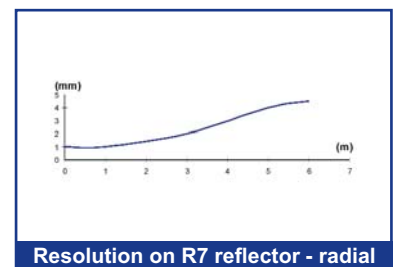
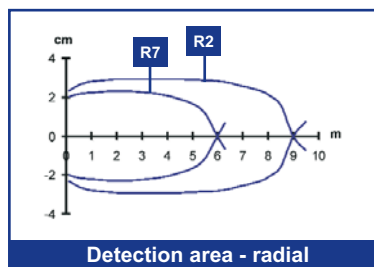
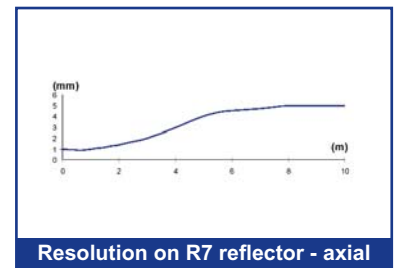
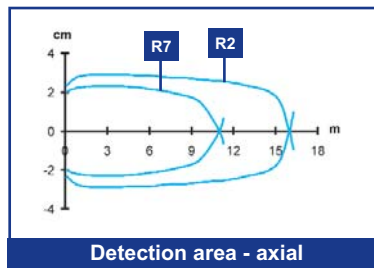
The use of the MICRO-18 fixing bracket (cod. 95ACC1380) is recommended for the correct optic axis alignment of the laser emission.

DETECTION DIAGRAMS

axial on R2	16
axial on R7	11
radial on R2	9
radial on R7	6

■ Operating distance

High efficiency reflectors can be used to obtain larger operating distances. Refer to **Reflectors** (A.01) of the **General Catalogue**.

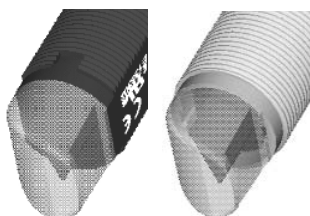


T RETROREFLEX FOR TRANSPARENTS WITH RED EMISSION

With high sensitivity and reduced hysteresis this retroreflex sensor allows the detection of even a small variation of the light emission received by the sensor, typically created by the presence of transparent objects such as glass or PET containers or plastic film sheets for packaging. The presence of polarising filters avoids false switching on shiny surfaces.



RADIAL OPTICS



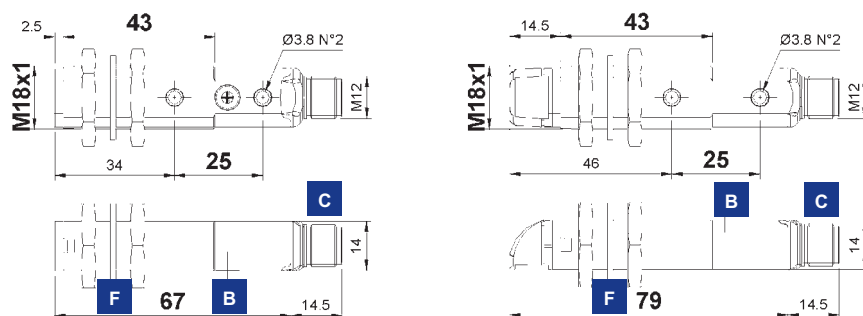
ACCESSORIES

For dedicated accessories refer to the **ACCESSORIES** section of this catalogue.

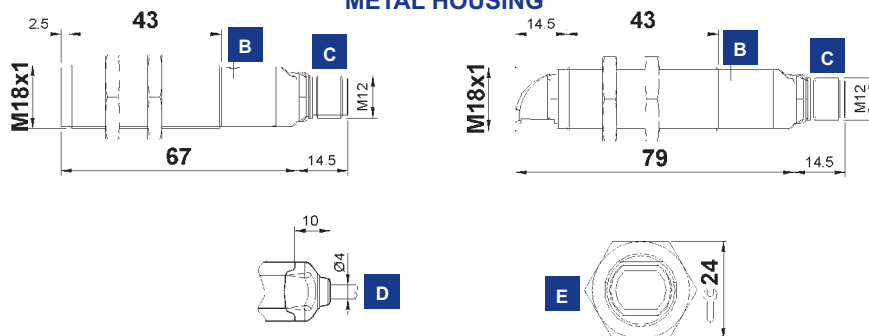
Refer also to **Reflectors (A.01)**, **Connectors (A.03)** and **Fixing brackets (A.04)** of the General Catalogue.

DIMENSIONS

PLASTIC HOUSING

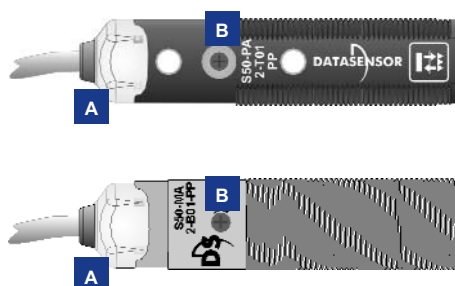


METAL HOUSING



mm

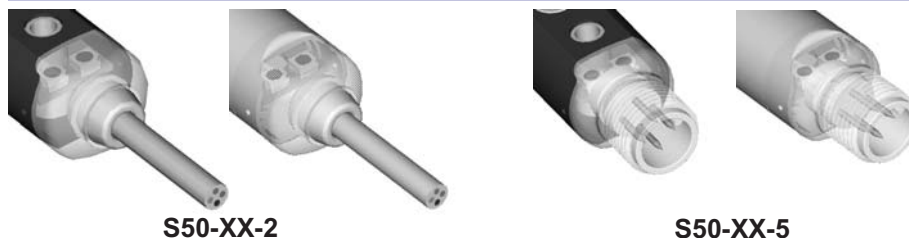
INDICATORS AND SETTINGS



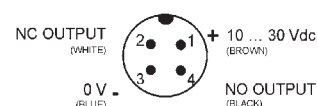
- A** OUTPUT status LED
- B** Adjustment trimmer
- C** M12 connector output
- D** Cable output
- E** Fixing nuts
- F** Fixing gasket

Single-turn trimmer for sensitivity adjustment. Rotate in a clockwise direction to increase the operating distance.

CONNECTIONS



- BROWN 1 + 10 ... 30 Vdc
- WHITE 2 NC OUTPUT
- BLACK 4 NO OUTPUT
- BLUE 3 0 V





TECHNICAL DATA

		S50-PA-2-T01-NN	S50-PA-2-T01-PP	S50-PA-5-T01-NN	S50-PA-5-T01-PP	S50-PR-2-T01-NN	S50-PR-2-T01-PP	S50-PR-5-T01-NN	S50-PR-5-T01-PP	S50-MA-2-T01-NN	S50-MA-2-T01-PP	S50-MA-5-T01-NN	S50-MA-5-T01-PP	S50-MR-2-T01-NN	S50-MR-2-T01-PP	S50-MR-5-T01-NN	S50-MR-5-T01-PP
Operating distance:																	
	axial optics	0.1 ... 1.7 m	●	●	●					●	●	●					
	radial optics	0.1 ... 1.7 m				●	●	●	●					●	●	●	●
Power supply:	10 ... 30 Vdc ¹		●	●	●	●	●	●	●	●	●	●	●	●	●	●	●
Ripple:	≤ 2 Vpp		●	●	●	●	●	●	●	●	●	●	●	●	●	●	●
Consumption:	≤ 35 mA		●	●	●	●	●	●	●	●	●	●	●	●	●	●	●
Light emission:	red LED 660 nm ²		●	●	●	●	●	●	●	●	●	●	●	●	●	●	●
Spot dimension:																	
	axial optics	approx. 45 mm at 1 m	●	●	●					●	●	●					
	radial optics	approx. 60 mm at 1 m				●	●	●	●					●	●	●	●
Setting:	sensitivity trimmer ³		●	●	●	●	●	●	●	●	●	●	●	●	●	●	●
Indicators:	yellow OUTPUT LED		●	●	●	●	●	●	●	●	●	●	●	●	●	●	●
Output type:																	
	PNP, NO and NC		●	●	●	●	●	●	●	●	●	●	●	●	●	●	●
	NPN, NO and NC		●	●	●	●	●	●	●	●	●	●	●	●	●	●	●
Output current:	≤ 100 mA		●	●	●	●	●	●	●	●	●	●	●	●	●	●	●
Saturation voltage:	≤ 2 V		●	●	●	●	●	●	●	●	●	●	●	●	●	●	●
Response time:	0.5 ms		●	●	●	●	●	●	●	●	●	●	●	●	●	●	●
Switching frequency:	1 kHz		●	●	●	●	●	●	●	●	●	●	●	●	●	●	●
Operating mode:	dark on NO / light on NC		●	●	●	●	●	●	●	●	●	●	●	●	●	●	●
Connection:																	
	2 m Ø 4 mm cable ⁴		●	●	●	●	●	●	●	●	●	●	●	●	●	●	●
	M12 4-pole connector ⁵			●	●	●	●	●	●	●	●	●	●	●	●	●	●
Electrical protection:	class 2		●	●	●	●	●	●	●	●	●	●	●	●	●	●	●
Mechanical protection:	IP67		●	●	●	●	●	●	●	●	●	●	●	●	●	●	●
Protection devices:	A, B ⁶		●	●	●	●	●	●	●	●	●	●	●	●	●	●	●
Housing material:																	
	PBT		●	●	●	●	●	●	●								
	nickel plated brass									●	●	●	●	●	●	●	●
Lens material:	PMMA		●	●	●	●	●	●	●	●	●	●	●	●	●	●	●
Weight:																	
	75 g max.		●	●	●	●	●	●	●								
	25 g max.			●	●	●	●	●	●								
	110 g max.					●	●	●	●	●	●	●	●	●	●	●	●
	60 g max.									●	●	●	●	●	●	●	●
Operating temperature:	-25 ... +55°C		●	●	●	●	●	●	●	●	●	●	●	●	●	●	●
Storage temperature:	-25 ... +70°C		●	●	●	●	●	●	●	●	●	●	●	●	●	●	●
Reference standard:	EN 60947-5-2		●	●	●	●	●	●	●	●	●	●	●	●	●	●	●

SELECTION TABLE

plastic - axial optics - 2 m cable		
S50-PA-2-T01-NN	952001690	NPN
S50-PA-2-T01-PP	952001260	PNP

metal - axial optics - 2 m cable		
S50-MA-2-T01-NN	952021570	NPN
S50-MA-2-T01-PP	952021090	PNP

plastic - axial optics - M12 connector		
S50-PA-5-T01-NN	952001580	NPN
S50-PA-5-T01-PP	952001270	PNP

metal - axial optics - M12 connector		
S50-MA-5-T01-NN	952021730	NPN
S50-MA-5-T01-PP	952021290	PNP

plastic - radial optics - 2 m cable		
S50-PR-2-T01-NN	952001830	NPN
S50-PR-2-T01-PP	952001280	PNP

metal - radial optics - 2 m cable		
S50-MR-2-T01-NN	952021650	NPN
S50-MR-2-T01-PP	952021190	PNP

plastic - radial optics - M12 connector		
S50-PR-5-T01-NN	952001770	NPN
S50-PR-5-T01-PP	952001290	PNP

metal - radial optics - M12 connector		
S50-MR-5-T01-NN	952021810	NPN
S50-MR-5-T01-PP	952021390	PNP

All the ordering codes and information are summarised in the last pages of this catalogue.

TECHNICAL NOTES

- ¹ Limit values
- ² Average life of 100.000 h with T_A = +25 °C
- ³ 270° single-turn trimmer
- ⁴ PVC, 4 x 0.14 mm²
- ⁵ Compatible with quick connection systems
- ⁶ A - reverse polarity protection
B - overload and short-circuit protection on the outputs

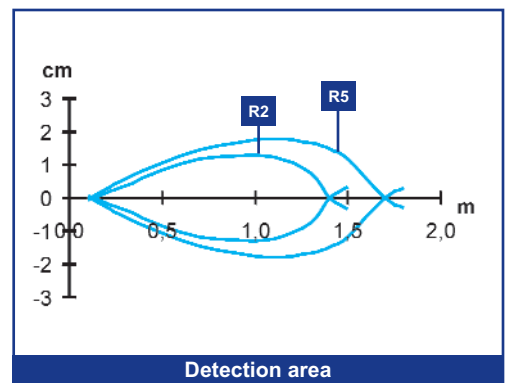
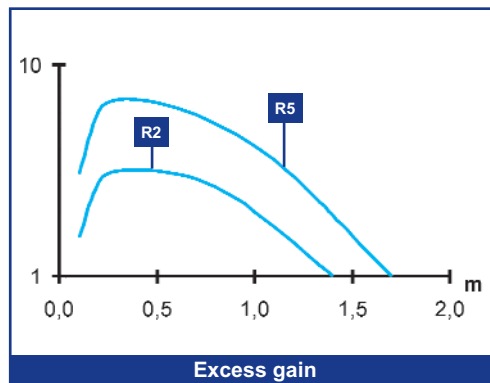


DETECTION DIAGRAMS

axial on R5	1.4	1.7
axial on R2	1	1.3
radial on R5	1.4	1.7
radial on R2	1	1.3

● Recommended operating distance
■ Maximum operating distance

High efficiency reflectors can be used to obtain larger operating distances. Refer to **Reflectors** (A.01) of the **General Catalogue**



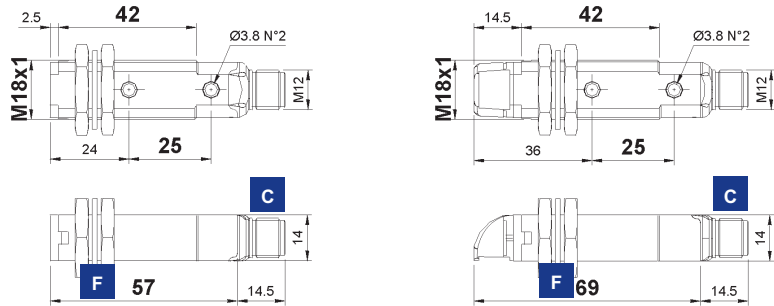
C SHORT DIFFUSE PROXIMITY WITH INFRARED EMISSION

This diffuse proximity sensor represents a reliable, simple and cost-effective solution for the direct detection of any object inside the fixed operating distance. Its particularly compact dimensions permit the installation in very small spaces.

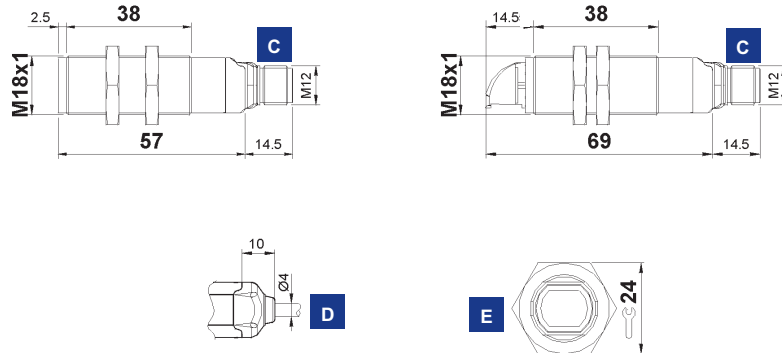


DIMENSIONS

PLASTIC HOUSING



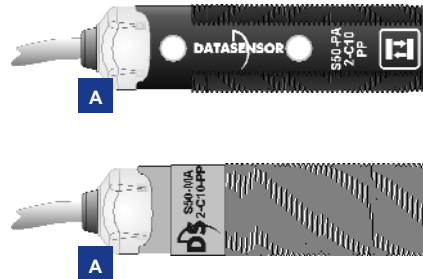
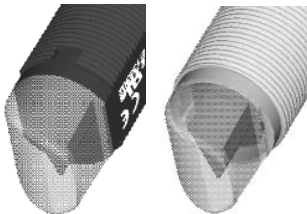
METAL HOUSING



mm

INDICATORS AND SETTINGS

RADIAL OPTICS



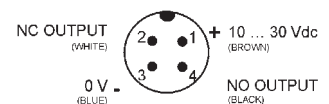
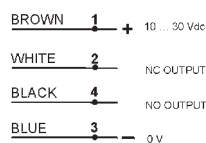
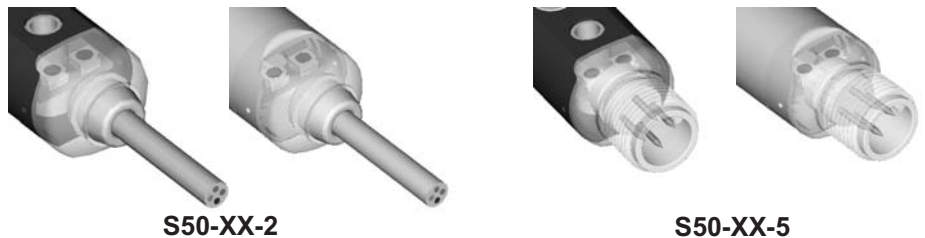
- A** OUTPUT status LED
- C** M12 connector output
- D** Cable output
- E** Fixing nuts
- F** Fixing gasket

ACCESSORIES

For dedicated accessories refer to the **ACCESSORIES** section of this catalogue.

Refer also to **Connectors (A.03)** and **Fixing brackets (A.04)** of the **General Catalogue**.

CONNECTIONS





TECHNICAL DATA

		S50-PA-2-C10-NN	S50-PA-2-C10-PP	S50-PA-5-C10-NN	S50-PA-5-C10-PP	S50-PR-2-C10-NN	S50-PR-2-C10-PP	S50-PR-5-C10-NN	S50-PR-5-C10-PP	S50-MA-2-C10-NN	S50-MA-2-C10-PP	S50-MA-5-C10-NN	S50-MA-5-C10-PP	S50-MR-2-C10-NN	S50-MR-2-C10-PP	S50-MR-5-C10-NN	S50-MR-5-C10-PP
Operating distance:																	
	axial optics	0 ... 10 cm	●	●	●					●	●	●					
	radial optics	0 ... 8 cm				●	●	●	●					●	●	●	●
Power supply:	10 ... 30 Vdc ¹		●	●	●	●	●	●	●	●	●	●	●	●	●	●	●
Ripple:	≤ 2 Vpp		●	●	●	●	●	●	●	●	●	●	●	●	●	●	●
Consumption:	≤ 35 mA		●	●	●	●	●	●	●	●	●	●	●	●	●	●	●
Light emission:	infrared LED 880 nm ²		●	●	●	●	●	●	●	●	●	●	●	●	●	●	●
Spot dimension:																	
	axial optics	approx. 80 mm at 10 cm	●	●	●					●	●	●					
	radial optics	approx. 55 mm at 10 cm				●	●	●	●					●	●	●	●
Indicators:	yellow OUTPUT LED		●	●	●	●	●	●	●	●	●	●	●	●	●	●	●
Output type:																	
	PNP, NO and NC		●	●	●	●	●	●	●	●	●	●	●	●	●	●	●
	NPN, NO and NC		●	●	●	●	●	●	●	●	●	●	●	●	●	●	●
Output current:	≤ 100 mA		●	●	●	●	●	●	●	●	●	●	●	●	●	●	●
Saturation voltage:	≤ 2 V		●	●	●	●	●	●	●	●	●	●	●	●	●	●	●
Response time:	0.5 ms		●	●	●	●	●	●	●	●	●	●	●	●	●	●	●
Switching frequency:	1 kHz		●	●	●	●	●	●	●	●	●	●	●	●	●	●	●
Operating mode:	dark on NO / light on NC		●	●	●	●	●	●	●	●	●	●	●	●	●	●	●
Connection:																	
	2 m Ø 4 mm cable ³		●	●	●	●	●	●	●	●	●	●	●	●	●	●	●
	M12 4-pole connector ⁴			●	●	●	●	●	●	●	●	●	●	●	●	●	●
Electrical protection:	class 2		●	●	●	●	●	●	●	●	●	●	●	●	●	●	●
Mechanical protection:	IP67		●	●	●	●	●	●	●	●	●	●	●	●	●	●	●
Protection devices:	A, B ⁵		●	●	●	●	●	●	●	●	●	●	●	●	●	●	●
Housing material:																	
	PBT		●	●	●	●	●	●	●	●	●	●	●	●	●	●	●
	nickel plated brass									●	●	●	●	●	●	●	●
	PMMA		●	●	●	●	●	●	●	●	●	●	●	●	●	●	●
Lens material:																	
	PMMA		●	●	●	●	●	●	●	●	●	●	●	●	●	●	●
Weight:																	
	75 g max.		●	●		●	●										
	25 g max.			●	●			●	●								
	110 g max.								●	●			●	●			
	60 g max.									●	●			●	●		
Operating temperature:	-25 ... +55°C		●	●	●	●	●	●	●	●	●	●	●	●	●	●	●
Storage temperature:	-25 ... +70°C		●	●	●	●	●	●	●	●	●	●	●	●	●	●	●
Reference standard:	EN 60947-5-2		●	●	●	●	●	●	●	●	●	●	●	●	●	●	●

SELECTION TABLE

plastic - axial optics - 2 m cable		
S50-PA-2-C10-NN	952001630	NPN
S50-PA-2-C10-PP	952001240	PNP

metal - axial optics - 2 m cable		
S50-MA-2-C10-NN	952021520	NPN
S50-MA-2-C10-PP	952021020	PNP

plastic - axial optics - M12 connector		
S50-PA-5-C10-NN	952001520	NPN
S50-PA-5-C10-PP	952001250	PNP

metal - axial optics - M12 connector		
S50-MA-5-C10-NN	952021680	NPN
S50-MA-5-C10-PP	952021220	PNP

plastic - radial optics - 2 m cable		
S50-PR-2-C10-NN	952001800	NPN
S50-PR-2-C10-PP	952001490	PNP

metal - radial optics - 2 m cable		
S50-MR-2-C10-NN	952021620	NPN
S50-MR-2-C10-PP	952021490	PNP

plastic - radial optics - M12 connector		
S50-PR-5-C10-NN	952001740	NPN
S50-PR-5-C10-PP	952001480	PNP

metal - radial optics - M12 connector		
S50-MR-5-C10-NN	952021780	NPN
S50-MR-5-C10-PP	952021480	PNP

All the ordering codes and information are summarised in the last pages of this catalogue.

TECHNICAL NOTES

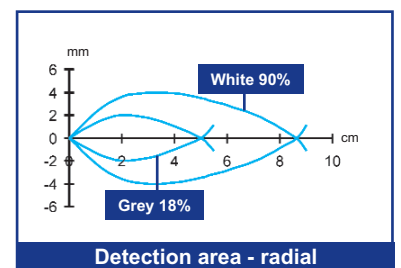
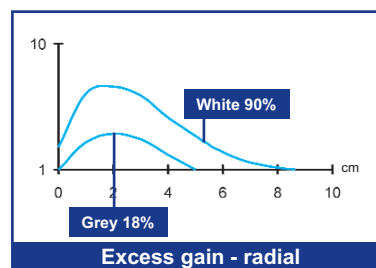
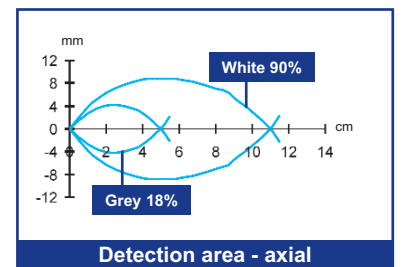
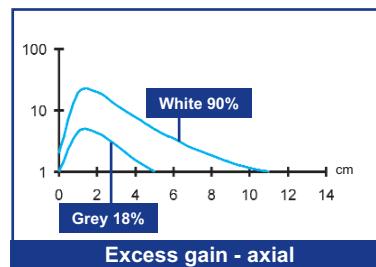
- ¹ Limit values
- ² Average life of 100.000 h with T_A = +25 °C
- ³ PVC, 4 x 0.14 mm²
- ⁴ Compatible with quick connection systems
- ⁵ A - reverse polarity protection
B - overload and short-circuit protection on the outputs



DETECTION DIAGRAMS

	axial	radial
Recommended operating distance	10	8
Maximum operating distance	11	9

■ Recommended operating distance
■ Maximum operating distance



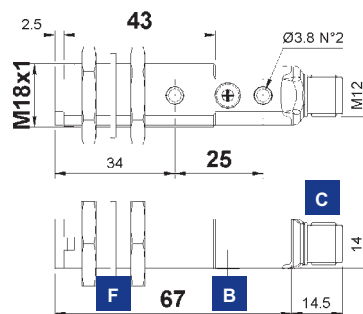
C DIFFUSE PROXIMITY WITH INFRARED EMISSION

This version of diffuse proximity sensor has a detection distance that can be set using the sensitivity adjustment trimmer. The green stability LED indicates whether the received signal is above to the minimum signal for stable output switching.

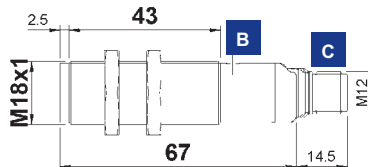


DIMENSIONS

PLASTIC HOUSING

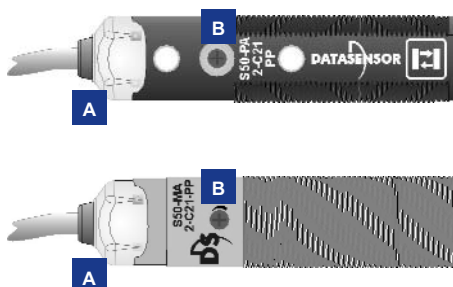


METAL HOUSING



mm

INDICATORS AND SETTINGS



- A** OUTPUT status and STABILITY LEDs
- B** Adjustment trimmer
- C** M12 connector output
- D** Cable output
- E** Fixing nuts
- F** Fixing gasket

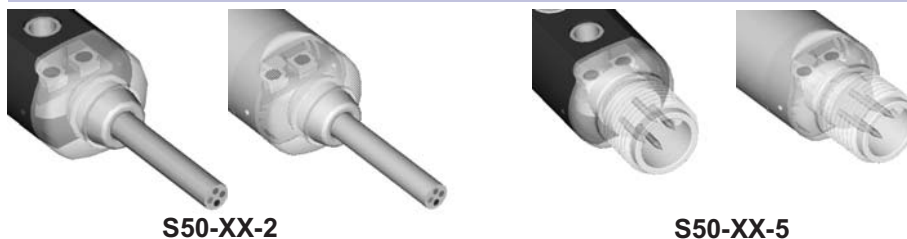
Single-turn trimmer for sensitivity adjustment. Rotate in a clockwise direction to increase the operating distance.

ACCESSORIES

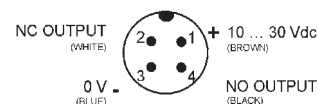
For dedicated accessories refer to the **ACCESSORIES** section of this catalogue.

Refer also to **Connectors (A.03)** and **Fixing brackets (A.04)** of the **General Catalogue**.

CONNECTIONS



- BROWN 1 + 10 ... 30 Vdc
- WHITE 2 NC OUTPUT
- BLACK 4 NO OUTPUT
- BLUE 3 0 V





TECHNICAL DATA

		S50-PA-2-C21-NN	S50-PA-2-C21-PP	S50-PA-5-C21-NN	S50-PA-5-C21-PP	S50-MA-2-C21-NN	S50-MA-2-C21-PP	S50-MA-5-C21-NN	S50-MA-5-C21-PP
Operating distance:	0 ... 40 cm	●	●	●	●	●	●	●	●
Power supply:	10 ... 30 Vdc ¹	●	●	●	●	●	●	●	●
Ripple:	≤ 2 Vpp	●	●	●	●	●	●	●	●
Consumption:	≤ 35 mA	●	●	●	●	●	●	●	●
Light emission:	infrared LED 880 nm ²	●	●	●	●	●	●	●	●
Spot dimension:	approx. 100 mm at 300 cm	●	●	●	●	●	●	●	●
Setting:	sensitivity trimmer ³	●	●	●	●	●	●	●	●
Indicators:									
	yellow OUTPUT LED	●	●	●	●	●	●	●	●
	green STABILITY LED	●	●	●	●	●	●	●	●
Output type:									
	PNP, NO and NC		●	●		●	●		●
	NPN, NO and NC	●		●	●	●		●	●
Output current:	≤ 100 mA	●	●	●	●	●	●	●	●
Saturation voltage:	≤ 2 V	●	●	●	●	●	●	●	●
Response time:	0.5 ms	●	●	●	●	●	●	●	●
Switching frequency:	1 kHz	●	●	●	●	●	●	●	●
Operating mode:	light on NO / dark on NC	●	●	●	●	●	●	●	●
Connection:									
	2 m Ø 4 mm cable ⁴	●	●			●	●		
	M12 4-pole connector ⁵			●	●			●	●
Electrical protection:	class 2	●	●	●	●	●	●	●	●
Mechanical protection:	IP67	●	●	●	●	●	●	●	●
Protection devices:	A, B ⁶	●	●	●	●	●	●	●	●
Housing material:									
	PBT	●	●	●	●				
	nickel plated brass					●	●	●	●
Lens material:	PMMA	●	●	●	●	●	●	●	●
Weight:									
	75 g max.	●	●						
	25 g max.			●	●				
	110 g max.					●	●		
	60 g max.							●	●
Operating temperature:	-25 ... +55°C	●	●	●	●	●	●	●	●
Storage temperature:	-25 ... +70°C	●	●	●	●	●	●	●	●
Reference standard:	EN 60947-5-2	●	●	●	●	●	●	●	●

SELECTION TABLE

plastic - axial optics - 2 m cable		
S50-PA-2-C21-NN	952002170	NPN
S50-PA-2-C21-PP	952002160	PNP

metal - axial optics - 2 m cable		
S50-MA-2-C21-NN	952022130	NPN
S50-MA-2-C21-PP	952022120	PNP

plastic - axial optics - M12 connector		
S50-PA-5-C21-NN	952002190	NPN
S50-PA-5-C21-PP	952002180	PNP

metal - axial optics - M12 connector		
S50-MA-5-C21-NN	952022150	NPN
S50-MA-5-C21-PP	952022140	PNP

All the ordering codes and information are summarised in the last pages of this catalogue.

TECHNICAL NOTES

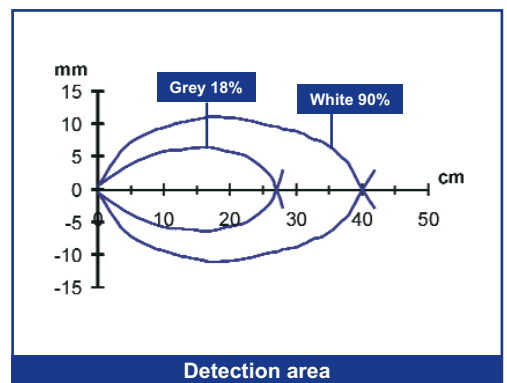
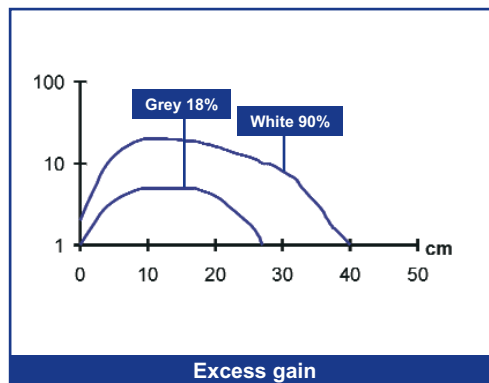
- ¹ Limit values
- ² Average life of 100.000 h with $T_A = +25^\circ\text{C}$
- ³ 270° single-turn trimmer
- ⁴ PVC, 4 x 0.14 mm²
- ⁵ Compatible with quick connection systems
- ⁶ A - reverse polarity protection
B - overload and short-circuit protection on the outputs



DETECTION DIAGRAMS



■ Recommended operating distance
■ Maximum operating distance



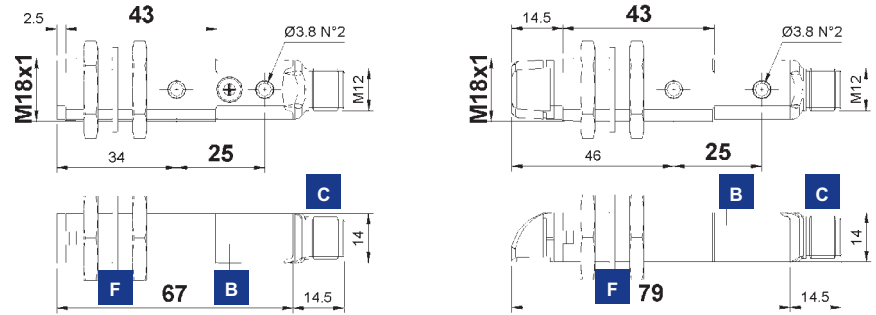
C LONG DIFFUSE PROXIMITY WITH INFRARED EMISSION

This version of diffuse proximity sensor offers the maximum operating distance for the direct detection of objects. The detection distance can be set using the sensitivity adjustment trimmer. The green stability LED indicates whether the received signal is above to the minimum signal for stable output switching.

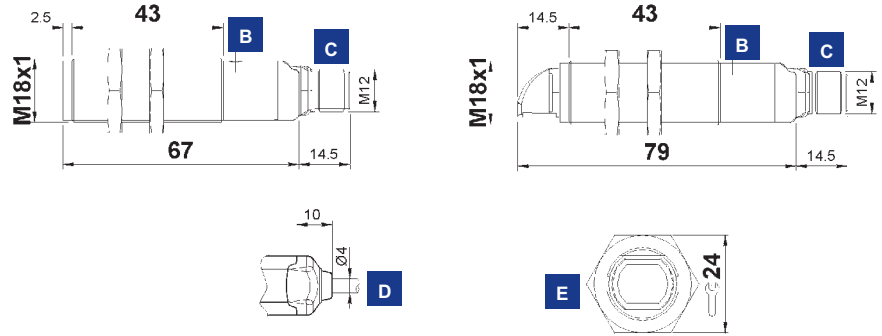


DIMENSIONS

PLASTIC HOUSING



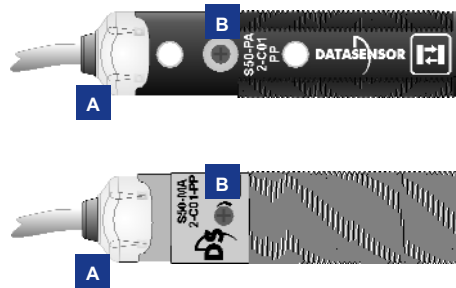
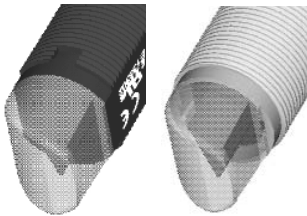
METAL HOUSING



mm

INDICATORS AND SETTINGS

RADIAL OPTICS



- A** OUTPUT status and STABILITY LEDs
- B** Adjustment trimmer
- C** M12 connector output
- D** Cable output
- E** Fixing nuts
- F** Fixing gasket

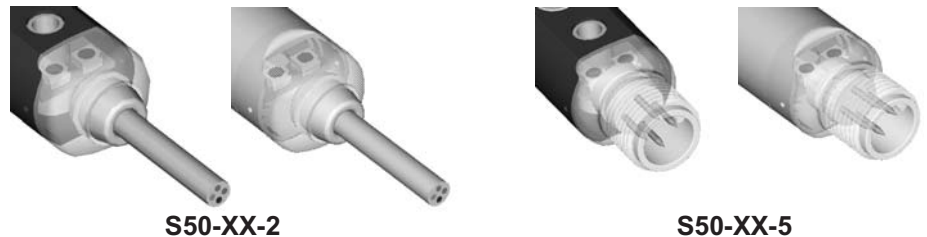
Single-turn trimmer for sensitivity adjustment. Rotate in a clockwise direction to increase the operating distance.

ACCESSORIES

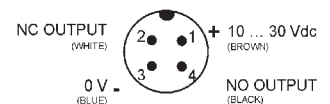
For dedicated accessories refer to the ACCESSORIES section of this catalogue.

Refer also to Connectors (A.03) and Fixing brackets (A.04) of the General Catalogue.

CONNECTIONS



BROWN	1	+	10 ... 30 Vdc
WHITE	2		NC OUTPUT
BLACK	4		NO OUTPUT
BLUE	3	-	0 V





TECHNICAL DATA

		S50-PA-2-C01-NN	S50-PA-2-C01-PP	S50-PA-5-C01-NN	S50-PA-5-C01-PP	S50-PR-2-C01-NN	S50-PR-2-C01-PP	S50-PR-5-C01-NN	S50-PR-5-C01-PP	S50-MA-2-C01-NN	S50-MA-2-C01-PP	S50-MA-5-C01-NN	S50-MA-5-C01-PP	S50-MR-2-C01-NN	S50-MR-2-C01-PP	S50-MR-5-C01-NN	S50-MR-5-C01-PP
Operating distance:																	
	axial optics	0 ... 70 cm	●	●	●					●	●	●	●				
	radial optics	0 ... 40 cm				●	●	●	●					●	●	●	●
Power supply:		10 ... 30 Vdc ¹	●	●	●	●	●	●	●	●	●	●	●	●	●	●	●
Ripple:		≤ 2 Vpp	●	●	●	●	●	●	●	●	●	●	●	●	●	●	●
Consumption:		≤ 35 mA	●	●	●	●	●	●	●	●	●	●	●	●	●	●	●
Light emission:		infrared LED 880 nm ²	●	●	●	●	●	●	●	●	●	●	●	●	●	●	●
Spot dimension:																	
	axial optics	approx.200 mm at 60 cm	●	●	●					●	●	●	●				
	radial optics	approx.35 mm at 40 cm				●	●	●	●					●	●	●	●
Setting:		sensitivity trimmer ³	●	●	●	●	●	●	●	●	●	●	●	●	●	●	●
Indicators:																	
		yellow OUTPUT LED	●	●	●	●	●	●	●	●	●	●	●	●	●	●	●
		green STABILITY LED	●	●	●	●	●	●	●	●	●	●	●	●	●	●	●
Output type:																	
		PNP, NO and NC	●	●	●	●	●	●	●	●	●	●	●	●	●	●	●
		NPN, NO and NC	●	●	●	●	●	●	●	●	●	●	●	●	●	●	●
Output current:		≤ 100 mA	●	●	●	●	●	●	●	●	●	●	●	●	●	●	●
Saturation voltage:		≤ 2 V	●	●	●	●	●	●	●	●	●	●	●	●	●	●	●
Response time:		0.5 ms	●	●	●	●	●	●	●	●	●	●	●	●	●	●	●
Switching frequency:		1 kHz	●	●	●	●	●	●	●	●	●	●	●	●	●	●	●
Operating mode:		dark on NO / light on NC	●	●	●	●	●	●	●	●	●	●	●	●	●	●	●
Connection:																	
		2 m Ø 4 mm cable ⁴	●	●	●	●	●	●	●	●	●	●	●	●	●	●	●
		M12 4-pole connector ⁵		●	●	●	●	●	●	●	●	●	●	●	●	●	●
Electrical protection:		class 2	●	●	●	●	●	●	●	●	●	●	●	●	●	●	●
Mechanical protection:		IP67	●	●	●	●	●	●	●	●	●	●	●	●	●	●	●
Protection devices:		A, B ⁶	●	●	●	●	●	●	●	●	●	●	●	●	●	●	●
Housing material:																	
		PBT	●	●	●	●	●	●	●	●	●	●	●	●	●	●	●
		nickel plated brass	●	●	●	●	●	●	●	●	●	●	●	●	●	●	●
Lens material:		PMMA	●	●	●	●	●	●	●	●	●	●	●	●	●	●	●
Weight:																	
		75 g max.	●	●	●	●	●	●	●	●	●	●	●	●	●	●	●
		25 g max.		●	●	●	●	●	●								
		110 g max.								●	●	●	●	●	●	●	●
		60 g max.									●	●	●	●	●	●	●
Operating temperature:		-25 ... +55°C	●	●	●	●	●	●	●	●	●	●	●	●	●	●	●
Storage temperature:		-25 ... +70°C	●	●	●	●	●	●	●	●	●	●	●	●	●	●	●
Reference standard:		EN 60947-5-2	●	●	●	●	●	●	●	●	●	●	●	●	●	●	●

SELECTION TABLE

plastic - axial optics - 2 m cable		
S50-PA-2-C01-NN	952001620	NPN
S50-PA-2-C01-PP	952001050	PNP

metal - axial optics - 2 m cable		
S50-MA-2-C01-NN	952021510	NPN
S50-MA-2-C01-PP	952021010	PNP

plastic - axial optics - M12 connector		
S50-PA-5-C01-NN	952001510	NPN
S50-PA-5-C01-PP	952001060	PNP

metal - axial optics - M12 connector		
S50-MA-5-C01-NN	952021670	NPN
S50-MA-5-C01-PP	952021210	PNP

plastic - radial optics - 2 m cable		
S50-PR-2-C01-NN	952001790	NPN
S50-PR-2-C01-PP	952001070	PNP

metal - radial optics - 2 m cable		
S50-MR-2-C01-NN	952021610	NPN
S50-MR-2-C01-PP	952021150	PNP

plastic - radial optics - M12 connector		
S50-PR-5-C01-NN	952001730	NPN
S50-PR-5-C01-PP	952001080	PNP

metal - radial optics - M12 connector		
S50-MR-5-C01-NN	952021770	NPN
S50-MR-5-C01-PP	952021350	PNP

All the ordering codes and information are summarised in the last pages of this catalogue.

TECHNICAL NOTES

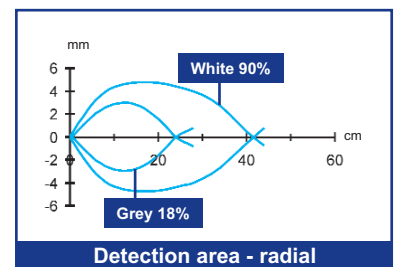
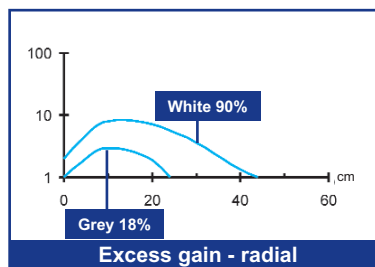
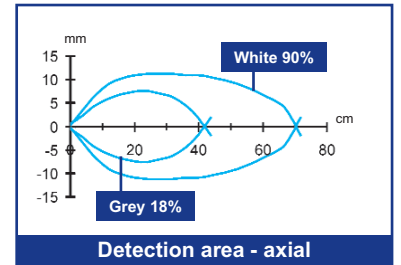
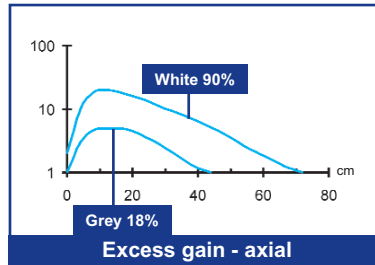
- ¹ Limit values
- ² Average life of 100.000 h with T_A = +25 °C
- ³ 270° single-turn trimmer
- ⁴ PVC, 4 x 0.14 mm²
- ⁵ Compatible with quick connection systems
- ⁶ A - reverse polarity protection
B - overload and short-circuit protection on the outputs



DETECTION DIAGRAMS

	axial	radial
Recommended operating distance	60	35
Maximum operating distance	70	40

■ Recommended operating distance
■ Maximum operating distance



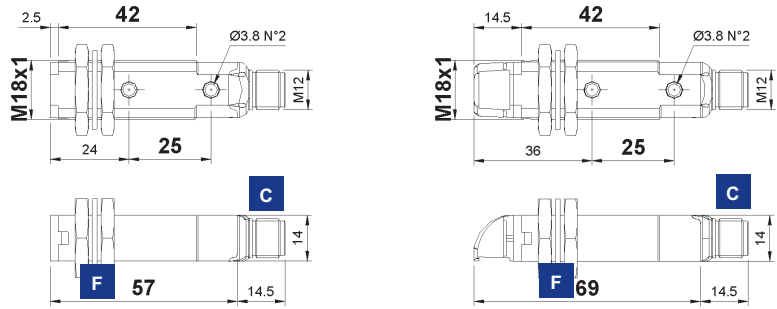
D FIXED FOCUS PROXIMITY WITH RED EMISSION

The fixed focus proximity sensor offers a simple fixed background suppression distance beyond which no object is detected. The fixed triangulation of the optics greatly reduces the detection distance of reflective objects. The visible red emission facilitates sensor installation.

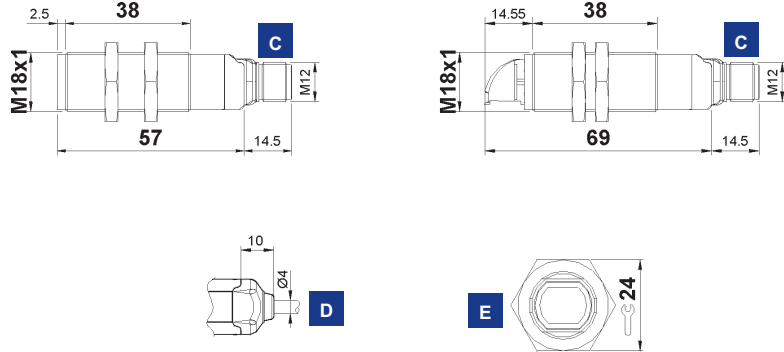


DIMENSIONS

PLASTIC HOUSING



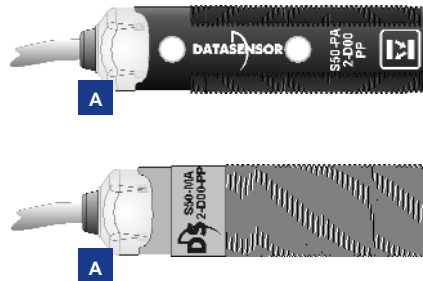
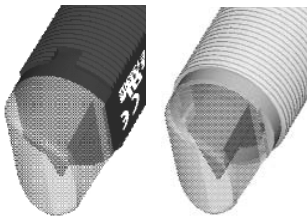
METAL HOUSING



mm

INDICATORS AND SETTINGS

RADIAL OPTICS



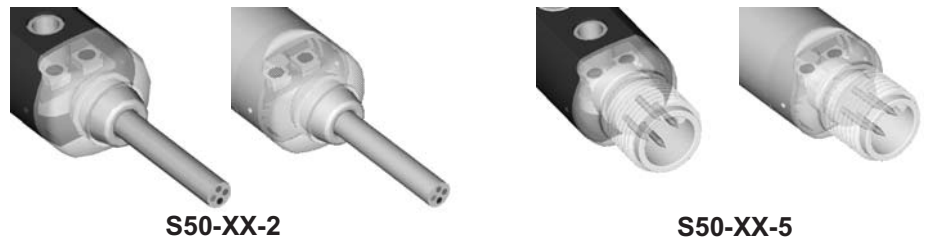
- A** OUTPUT status LED
- C** M12 connector output
- D** Cable output
- E** Fixing nuts
- F** Fixing gasket

ACCESSORIES

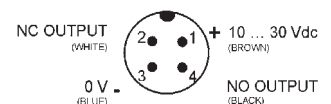
For dedicated accessories refer to the **ACCESSORIES** section of this catalogue.

Refer also to **Connectors (A.03)** and **Fixing brackets (A.04)** of the **General Catalogue**.

CONNECTIONS



- BROWN 1 + 10 ... 30 Vdc
- WHITE 2 NC OUTPUT
- BLACK 4 NO OUTPUT
- BLUE 3 0 V





TECHNICAL DATA

		S50-PA-2-D00-NN	S50-PA-2-D00-PP	S50-PA-5-D00-NN	S50-PA-5-D00-PP	S50-PR-2-D00-NN	S50-PR-2-D00-PP	S50-PR-5-D00-NN	S50-PR-5-D00-PP	S50-MA-2-D00-NN	S50-MA-2-D00-PP	S50-MA-5-D00-NN	S50-MA-5-D00-PP	S50-MR-2-D00-NN	S50-MR-2-D00-PP	S50-MR-5-D00-NN	S50-MR-5-D00-PP
Operating distance:																	
	axial optics	0.5 ... 10 cm	●	●	●					●	●	●					
	radial optics	0 ... 8 cm				●	●	●	●					●	●	●	●
Power supply:	10 ... 30 Vdc ¹		●	●	●	●	●	●	●	●	●	●	●	●	●	●	●
Ripple:	≤ 2 Vpp		●	●	●	●	●	●	●	●	●	●	●	●	●	●	●
Consumption:	≤ 35 mA		●	●	●	●	●	●	●	●	●	●	●	●	●	●	●
Light emission:	red LED 630 nm ²		●	●	●	●	●	●	●	●	●	●	●	●	●	●	●
Spot dimension:																	
	axial optics	approx. 20 mm at 10 cm	●	●	●					●	●	●					
	radial optics	approx. 25 mm at 8 cm				●	●	●	●					●	●	●	●
Indicators:	yellow OUTPUT LED		●	●	●	●	●	●	●	●	●	●	●	●	●	●	●
Output type:																	
	PNP, NO and NC		●	●	●	●	●	●	●	●	●	●	●	●	●	●	●
	NPN, NO and NC		●	●	●	●	●	●	●	●	●	●	●	●	●	●	●
Output current:	≤ 100 mA		●	●	●	●	●	●	●	●	●	●	●	●	●	●	●
Saturation voltage:	≤ 2 V		●	●	●	●	●	●	●	●	●	●	●	●	●	●	●
Response time:	0.5 ms		●	●	●	●	●	●	●	●	●	●	●	●	●	●	●
Switching frequency:	1 kHz		●	●	●	●	●	●	●	●	●	●	●	●	●	●	●
Operating mode:	dark on NO / light on NC		●	●	●	●	●	●	●	●	●	●	●	●	●	●	●
Connection:																	
	2 m Ø 4 mm cable ³		●	●	●	●	●	●	●	●	●	●	●	●	●	●	●
	M12 4-pole connector ⁴			●				●			●				●		
Electrical protection:	class 2		●	●	●	●	●	●	●	●	●	●	●	●	●	●	●
Mechanical protection:	IP67		●	●	●	●	●	●	●	●	●	●	●	●	●	●	●
Protection devices:	A, B ⁵		●	●	●	●	●	●	●	●	●	●	●	●	●	●	●
Housing material:																	
	PBT		●	●	●	●	●	●	●								
	nickel plated brass									●	●	●	●	●	●	●	●
Lens material:	PMMA		●	●	●	●	●	●	●	●	●	●	●	●	●	●	●
Weight:																	
	75 g max.		●	●													
	25 g max.			●	●			●	●								
	110 g max.									●	●			●	●		
	60 g max.										●	●	●	●	●	●	●
Operating temperature:	-25 ... +55°C		●	●	●	●	●	●	●	●	●	●	●	●	●	●	●
Storage temperature:	-25 ... +70°C		●	●	●	●	●	●	●	●	●	●	●	●	●	●	●
Reference standard:	EN 60947-5-2		●	●	●	●	●	●	●	●	●	●	●	●	●	●	●

SELECTION TABLE

plastic - axial optics - 2 m cable		
S50-PA-2-D00-NN	952001640	NPN
S50-PA-2-D00-PP	952001090	PNP

metal - axial optics - 2 m cable		
S50-MA-2-D00-NN	952021530	NPN
S50-MA-2-D00-PP	952021030	PNP

plastic - axial optics - M12 connector		
S50-PA-5-D00-NN	952001530	NPN
S50-PA-5-D00-PP	952001100	PNP

metal - axial optics - M12 connector		
S50-MA-5-D00-NN	952021690	NPN
S50-MA-5-D00-PP	952021230	PNP

plastic - radial optics - 2 m cable		
S50-PR-2-D00-NN	952001810	NPN
S50-PR-2-D00-PP	952001110	PNP

metal - radial optics - 2 m cable		
S50-MR-2-D00-NN	952021630	NPN
S50-MR-2-D00-PP	952021160	PNP

plastic - radial optics - M12 connector		
S50-PR-5-D00-NN	952001750	NPN
S50-PR-5-D00-PP	952001120	PNP

metal - radial optics - M12 connector		
S50-MR-5-D00-NN	952021790	NPN
S50-MR-5-D00-PP	952021360	PNP

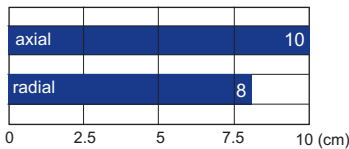
All the ordering codes and information are summarised in the last pages of this catalogue.

TECHNICAL NOTES

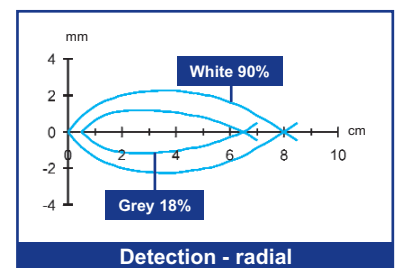
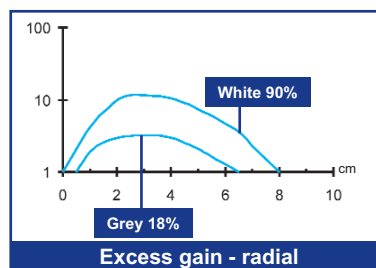
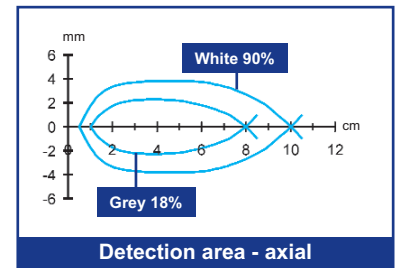
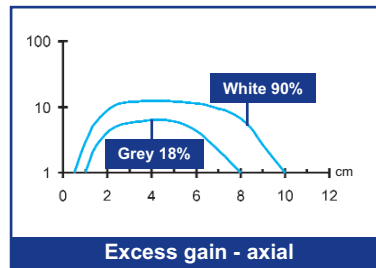
- ¹ Limit values
- ² Average life of 100.000 h with T_A = +25 °C
- ³ PVC, 4 x 0.14 mm²
- ⁴ Compatible with quick connection systems
- ⁵ A - reverse polarity protection
B - overload and short-circuit protection on the outputs



DETECTION DIAGRAMS



■ Operating distance



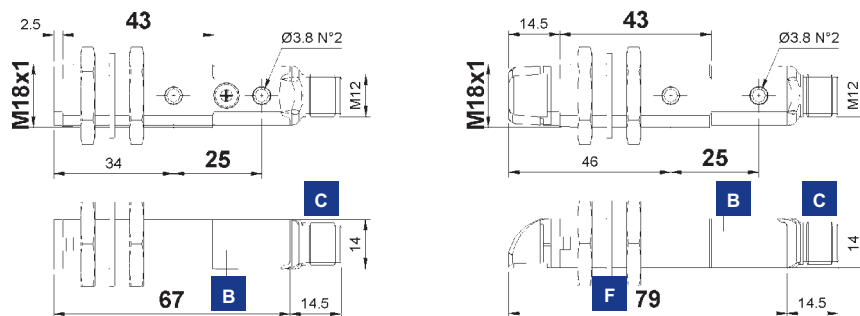
L-C LASER PROXIMITY WITH RED EMISSION

The visible red laser emission allows the accurate detection of very small objects. The sensors operate as a proximity device up to 35 cm and can be used as a contrast sensor for high contrast mark detection. The class 1 laser emission guarantees maximum safety for the operators in all applications.

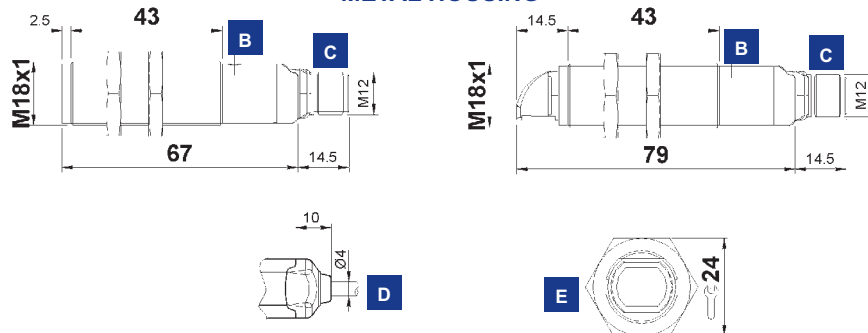


DIMENSIONS

PLASTIC HOUSING



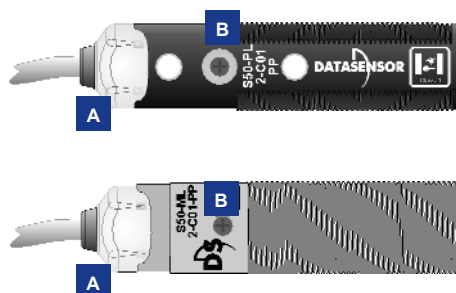
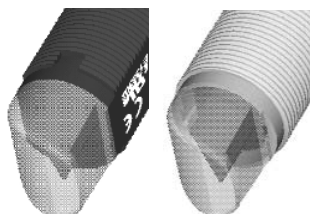
METAL HOUSING



mm

INDICATORS AND SETTINGS

RADIAL OPTICS



- A** OUTPUT status and STABILITY LEDs
- B** Adjustment trimmer
- C** M12 connector output
- D** Cable output
- E** Fixing nuts
- F** Fixing gasket

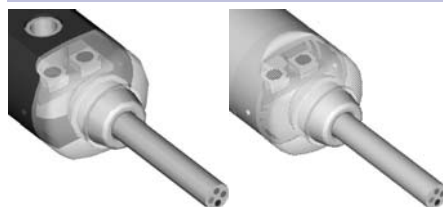
Single-turn trimmer for sensitivity adjustment. Rotate in a clockwise direction to increase the operating distance.

ACCESSORIES

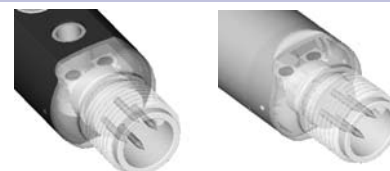
For dedicated accessories refer to the **ACCESSORIES** section of this catalogue.

Refer also to **Connectors (A.03)** and **Fixing brackets (A.04)** of the **General Catalogue**.

CONNECTIONS

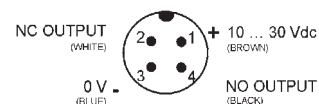


S50-XX-2



S50-XX-5

- BROWN 1 + 10 ... 30 Vdc
- WHITE 2 NC OUTPUT
- BLACK 4 NO OUTPUT
- BLUE 3 - 0 V



TECHNICAL DATA

	S50-PL-2-C01-NN	S50-PL-2-C01-PP	S50-PH-2-C01-NN	S50-PH-2-C01-PP	S50-PL-5-C01-NN	S50-PL-5-C01-PP	S50-PH-5-C01-NN	S50-PH-5-C01-PP	S50-ML-2-C01-NN	S50-ML-2-C01-PP	S50-MH-2-C01-NN	S50-MH-2-C01-PP	S50-ML-5-C01-NN	S50-ML-5-C01-PP	S50-MH-5-C01-NN	S50-MH-5-C01-PP
Operating distance:																
axial optics	0 ... 35 cm	●	●		●	●			●	●			●	●		
radial optics	0 ... 25 cm			●	●		●	●			●	●			●	●
Power supply:	10 ... 30 Vdc ¹	●	●	●	●	●	●	●	●	●	●	●	●	●	●	●
Ripple:	≤ 2 Vpp	●	●	●	●	●	●	●	●	●	●	●	●	●	●	●
Consumption:	≤ 35 mA	●	●	●	●	●	●	●	●	●	●	●	●	●	●	●
Light emission:	red Laser 650 nm ²	●	●	●	●	●	●	●	●	●	●	●	●	●	●	●
	class 1 EN 60825-1															
	class II CDRH21 CFR 1040.10															
Resolution:	approx. 0.3 mm at 5 cm	●	●	●	●	●	●	●	●	●	●	●	●	●	●	●
	approx. 0.3 mm at 10 cm	●	●	●	●	●	●	●	●	●	●	●	●	●	●	●
	approx. 0.5 mm at 20 cm	●	●	●	●	●	●	●	●	●	●	●	●	●	●	●
	approx. 2 mm at 30 cm	●	●	●	●	●	●	●	●	●	●	●	●	●	●	●
Setting:	sensitivity trimmer ³	●	●	●	●	●	●	●	●	●	●	●	●	●	●	●
Indicators:	yellow OUTPUT LED	●	●	●	●	●	●	●	●	●	●	●	●	●	●	●
	green STABILITY LED	●	●	●	●	●	●	●	●	●	●	●	●	●	●	●
Output type:	PNP, NO and NC	●	●	●	●	●	●	●	●	●	●	●	●	●	●	●
	NPN, NO and NC	●	●	●	●	●	●	●	●	●	●	●	●	●	●	●
Output current:	≤ 100 mA	●	●	●	●	●	●	●	●	●	●	●	●	●	●	●
Saturation voltage:	≤ 2 V	●	●	●	●	●	●	●	●	●	●	●	●	●	●	●
Response time:	333 μs	●	●	●	●	●	●	●	●	●	●	●	●	●	●	●
Switching frequency:	1.5 kHz	●	●	●	●	●	●	●	●	●	●	●	●	●	●	●
Operating mode:	light on NO / dark on NC	●	●	●	●	●	●	●	●	●	●	●	●	●	●	●
Connection:	2 m Ø 4 mm cable ⁴	●	●	●	●	●	●	●	●	●	●	●	●	●	●	●
	M12 4-pole connector ⁵	●	●	●	●	●	●	●	●	●	●	●	●	●	●	●
Electrical protection:	class 2	●	●	●	●	●	●	●	●	●	●	●	●	●	●	●
Mechanical protection:	IP67	●	●	●	●	●	●	●	●	●	●	●	●	●	●	●
Protection devices:	A, B ⁶	●	●	●	●	●	●	●	●	●	●	●	●	●	●	●
Housing material:	PBT	●	●	●	●	●	●	●	●	●	●	●	●	●	●	●
	nickel plated brass	●	●	●	●	●	●	●	●	●	●	●	●	●	●	●
Lens material:	PMMA / glass	●	●	●	●	●	●	●	●	●	●	●	●	●	●	●
Weight:	75 g max.	●	●	●	●											
	25 g max.			●	●	●	●									
	110 g max.							●	●	●	●					
	60 g max.												●	●	●	●
Operating temperature:	-10 ... +50°C	●	●	●	●	●	●	●	●	●	●	●	●	●	●	●
Storage temperature:	-25 ... +70°C	●	●	●	●	●	●	●	●	●	●	●	●	●	●	●
Reference standard:	EN 60947-5-2,	●	●	●	●	●	●	●	●	●	●	●	●	●	●	●
	EN 60825-1, CDRH21 CFR 1040.10	●	●	●	●	●	●	●	●	●	●	●	●	●	●	●



SELECTION TABLE

plastic - axial optics - 2 m cable		
S50-PL-2-C01-NN	952001880	NPN
S50-PL-2-C01-PP	952001380	PNP

plastic - radial optics - 2 m cable		
S50-PH-2-C01-NN	952001990	NPN
S50-PH-2-C01-PP	952001980	PNP

metal - axial optics - 2 m cable		
S50-ML-2-C01-NN	952021830	NPN
S50-ML-2-C01-PP	952021410	PNP

metal - radial optics - 2 m cable		
S50-MH-2-C01-NN	952021990	NPN
S50-MH-2-C01-PP	952021980	PNP

plastic - axial optics - M12 connector		
S50-PL-5-C01-NN	952001850	NPN
S50-PL-5-C01-PP	952001390	PNP

plastic - radial optics - M12 connector		
S50-PH-5-C01-NN	952002010	NPN
S50-PH-5-C01-PP	952002000	PNP

metal - axial optics - M12 connector		
S50-ML-5-C01-NN	952021860	NPN
S50-ML-5-C01-PP	952021450	PNP

metal - radial optics - M12 connector		
S50-MH-5-C01-NN	952022010	NPN
S50-MH-5-C01-PP	952022000	PNP

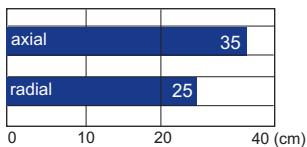
All the ordering codes and information are summarised in the last pages of this catalogue.

TECHNICAL NOTES

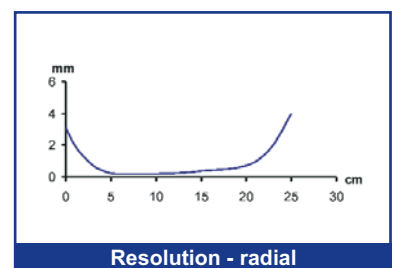
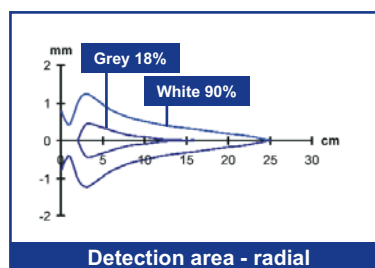
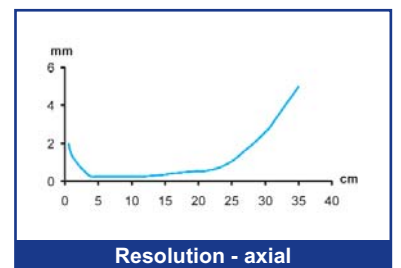
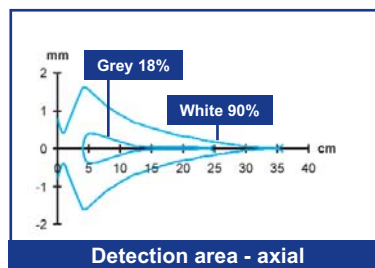
- Limit values
- Average life of 50.000 h with $T_A = +25^\circ\text{C}$
- 270° single-turn trimmer
- PVC, 4 x 0.14 mm²
- Compatible with quick connection systems
- A - reverse polarity protection
B - overload and short-circuit protection on the outputs

The use of the MICRO-18 fixing bracket (cod. 95ACC1380) is recommended for the correct optic axis alignment of the laser emission.

DETECTION DIAGRAMS



■ Operating distance



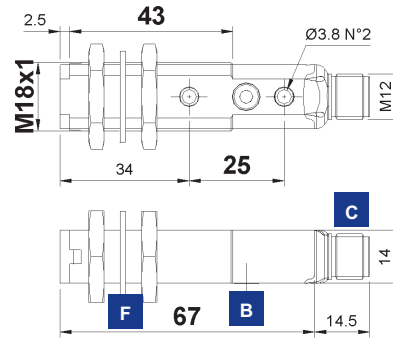
M AXIAL BACKGROUND SUPPRESSION WITH RED EMISSION

Background suppression proximity allows to precisely adjust the distance over which the object is not detected, with the minimum difference between reflective objects. The *EASYtouch™* setting procedure fixes automatically the best detection conditions, simply pressing once the teach-in push-button, in presence of the reference to detect.

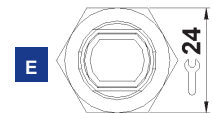
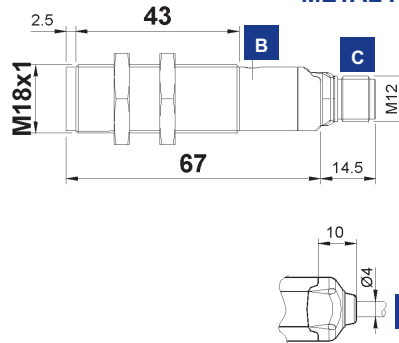


DIMENSIONS

PLASTIC HOUSING

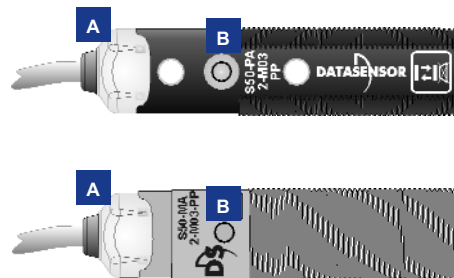


METAL HOUSING



mm

INDICATORS AND SETTINGS



- A** OUTPUT status and READY / ERROR LEDs
- B** Teach-in push-button
- C** M12 connector output
- D** Cable output
- E** Fixing nuts
- F** Fixing gasket

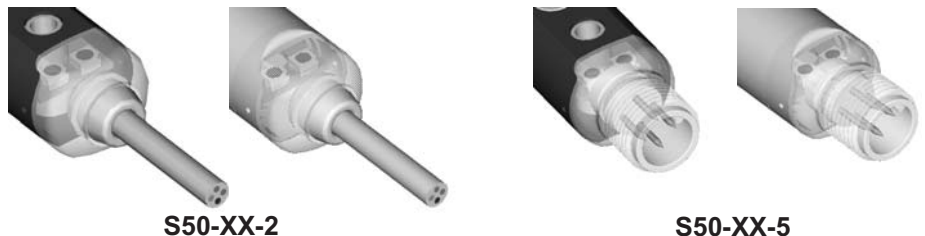
Teach-in button for setting. *EASYtouch™* provides two setting modes: standard or fine, both obtained by pressing the push-button only once. Please refer to instructions manual for operating details.

ACCESSORIES

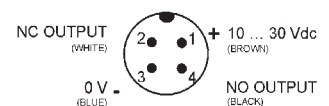
For dedicated accessories refer to the **ACCESSORIES** section of this catalogue.

Refer also to **Connectors (A.03)** and **Fixing brackets (A.04)** of the **General Catalogue**.

CONNECTIONS



BROWN	1	+	10 ... 30 Vdc
WHITE	2		NC OUTPUT
BLACK	4		NO OUTPUT
BLUE	3	-	0 V





TECHNICAL DATA

	S50-PA-2-M03-NN	S50-PA-2-M03-PP	S50-PA-5-M03-NN	S50-PA-5-M03-PP	S50-MA-2-M03-NN	S50-MA-2-M03-PP	S50-MA-5-M03-NN	S50-MA-5-M03-PP
Operating distance:	5 ... 10 cm							
Power supply:	10 ... 30 Vdc ¹							
Ripple:	≤ 2 Vpp							
Consumption:	≤ 30 mA							
Light emission:	red LED 630 nm ²							
Spot dimension:	approx. 8 mm at 10 cm							
Setting:	teach-in push-button							
Setting procedure:	teach-in <i>EASYtouch</i> TM							
Indicators:	yellow OUTPUT LED							
	green / red READY / ERROR LED							
Output type:								
Output current:	≤ 100 mA							
Saturation voltage:	≤ 2 V							
Response time:	1 ms							
Switching frequency:	500 Hz							
Operating mode:	dark on NO / light on NC							
Connection:								
Electrical protection:	class 2							
Mechanical protection:	IP67							
Protection devices:	A, B ⁵							
Housing material:								
Lens material:	PMMA							
Weight:								
Operating temperature:	-25 ... +55°C							
Storage temperature:	-25 ... +70°C							
Reference standard:	EN 60947-5-2							

SELECTION TABLE

plastic - axial optics - 2 m cable

S50-PA-2-M03-NN	952001670	NPN
S50-PA-2-M03-PP	952001230	PNP

metal - axial optics - 2 m cable

S50-MA-2-M03-NN	952021550	NPN
S50-MA-2-M03-PP	952021070	PNP

plastic - axial optics - M12 connector

S50-PA-5-M03-NN	952001560	NPN
S50-PA-5-M03-PP	952001000	PNP

metal - axial optics - M12 connector

S50-MA-5-M03-NN	952021710	NPN
S50-MA-5-M03-PP	952021270	PNP

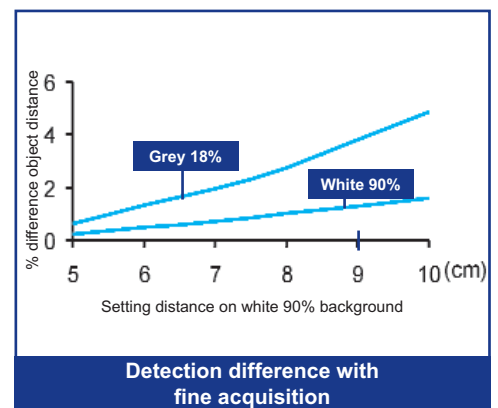
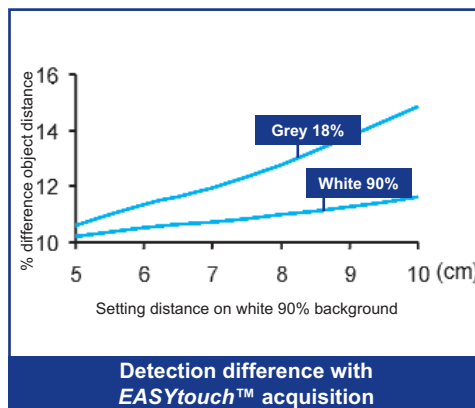
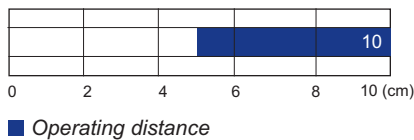
All the ordering codes and information are summarised in the last pages of this catalogue.

TECHNICAL NOTES

- ¹ Limit values
- ² Average life of 100.000 h with $T_A = +25^\circ\text{C}$
- ³ PVC, 4 x 0.14 mm²
- ⁴ Compatible with quick connection systems
- ⁵ A - reverse polarity protection
B - overload and short-circuit protection on the outputs



DETECTION DIAGRAMS



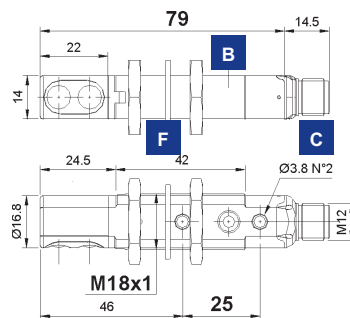
M RADIAL BACKGROUND SUPPRESSION WITH RED EMISSION

Background suppression proximity allows to precisely adjust the distance over which the object is not detected, with the minimum difference between reflective objects. The *EASYtouch™* setting procedure fixes automatically the best detection conditions, simply pressing once the teach-in push-button, in presence of the reference to detect.

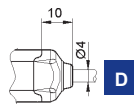
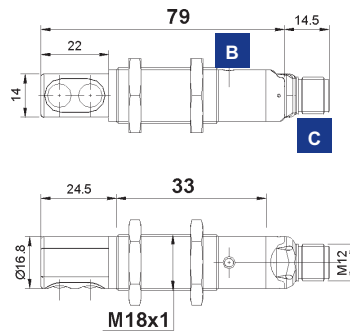


DIMENSIONS

PLASTIC HOUSING

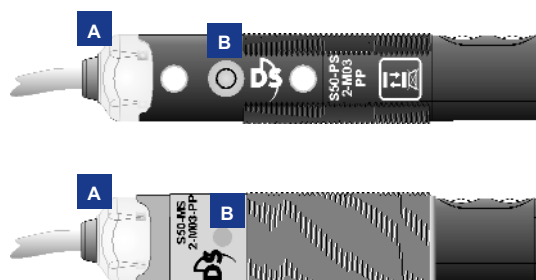


METAL HOUSING



mm

INDICATORS AND SETTINGS



- A** OUTPUT status and READY / ERROR LEDs
- B** Teach-in push-button
- C** M12 connector output
- D** Cable output
- E** Fixing nuts
- F** Fixing gasket

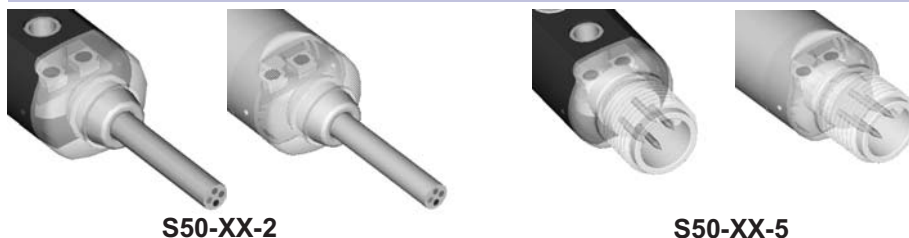
Teach-in button for setting. *EASYtouch™* provides two setting modes: standard or fine, both obtained by pressing the push-button only once. Please refer to instructions manual for operating details.

ACCESSORIES

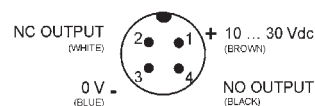
For dedicated accessories refer to the **ACCESSORIES** section of this catalogue.

Refer also to **Connectors (A.03)** and **Fixing brackets (A.04)** of the **General Catalogue**.

CONNECTIONS



BROWN	1	+	10 ... 30 Vdc
WHITE	2		NC OUTPUT
BLACK	4		NO OUTPUT
BLUE	3	-	0 V





TECHNICAL DATA

	S50-PS-2-M03-NN	S50-PS-2-M03-PP	S50-PS-5-M03-NN	S50-PS-5-M03-PP	S50-MS-2-M03-NN	S50-MS-2-M03-PP	S50-MS-5-M03-NN	S50-MS-5-M03-PP
Operating distance:	5 ... 10 cm							
Power supply:	10 ... 30 Vdc ¹							
Ripple:	≤ 2 Vpp							
Consumption:	≤ 30 mA							
Light emission:	red LED 630 nm ²							
Spot dimension:	approx. 10 mm at 10 cm							
Setting:	teach-in push-button							
Setting procedure:	teach-in <i>EASytouch</i> TM							
Indicators:	yellow OUTPUT LED							
	green / red READY / ERROR LED							
Output type:	PNP, NO and NC							
	NPN, NO and NC							
Output current:	≤ 100 mA							
Saturation voltage:	≤ 2 V							
Response time:	1 ms							
Switching frequency:	500 Hz							
Operating mode:	dark on NO / light on NC							
Connection:	2 m Ø 4 mm cable ³							
	M12 4-pole connector ⁴							
Electrical protection:	class 2							
Mechanical protection:	IP67							
Protection devices:	A, B ⁵							
Housing material:	PBT / PVC							
	nickel plated brass							
Lens material:	glass							
Weight:	90 g max.							
	40 g max.							
	125 g max.							
	75 g max.							
Operating temperature:	-25 ... +55°C							
Storage temperature:	-25 ... +70°C							
Reference standard:	EN 60947-5-2							

SELECTION TABLE

plastic - 2 m cable		
S50-PS-2-M03-NN	952001900	NPN
S50-PS-2-M03-PP	952001910	PNP

metal - 2 m cable		
S50-MS-2-M03-NN	952021900	NPN
S50-MS-2-M03-PP	952021910	PNP

plastic - M12 connector		
S50-PS-5-M03-NN	952001920	NPN
S50-PS-5-M03-PP	952001930	PNP

metal - M12 connector		
S50-MS-5-M03-NN	952021920	NPN
S50-MS-5-M03-PP	952021930	PNP

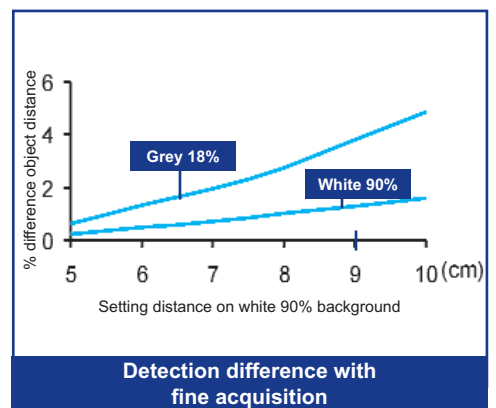
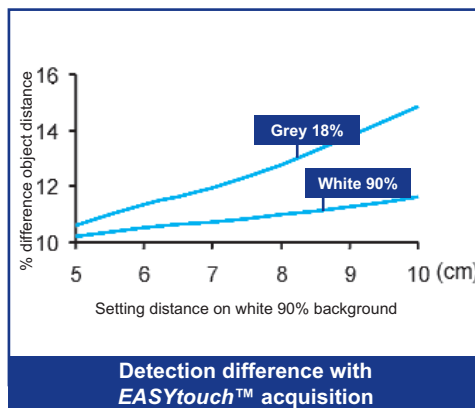
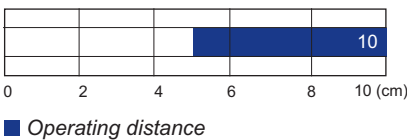
All the ordering codes and information are summarised in the last pages of this catalogue.

TECHNICAL NOTES

- ¹ Limit values
- ² Average life of 100.000 h with $T_A = +25^\circ\text{C}$
- ³ PVC, 4 x 0.14 mm²
- ⁴ Compatible with quick connection systems
- ⁵ A - reverse polarity protection
B - overload and short-circuit protection on the outputs



DETECTION DIAGRAMS



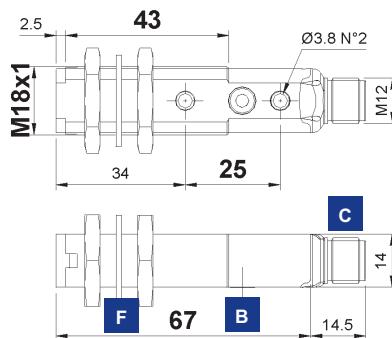
FORE-BACKGROUND SUPPRESSION WITH RED EMISSION

The fore-background suppression proximity allows to precisely adjust the minimum and maximum detection distance. The **EASYtouch™** setting procedure fixes automatically the best detection conditions, simply pressing once the teach-in push-button, in presence of the reference to detect.

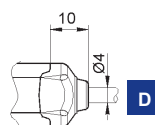
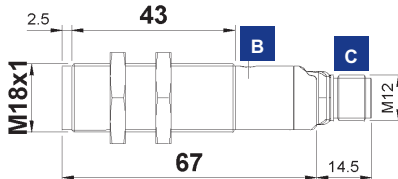


DIMENSIONS

PLASTIC HOUSING

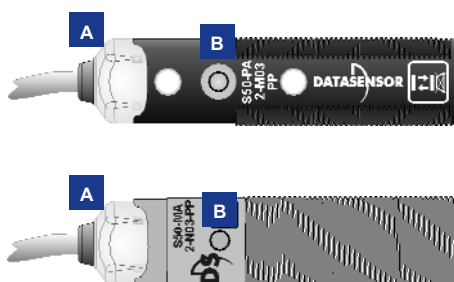


METAL HOUSING



mm

INDICATORS AND SETTINGS



- A** OUTPUT status and READY / ERROR LEDs
- B** Teach-in push-button
- C** M12 connector output
- D** Cable output
- E** Fixing nuts
- F** Fixing gasket

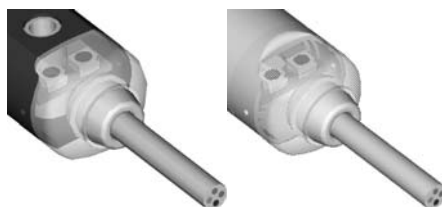
Teach-in button for setting. **EASYtouch™** provides two setting modes: standard or fine, both obtained by pressing the push-button only once. Please refer to instructions manual for operating details.

ACCESSORIES

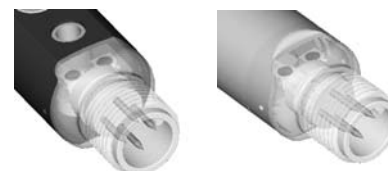
For dedicated accessories refer to the **ACCESSORIES** section of this catalogue.

Refer also to **Connectors (A.03)** and **Fixing brackets (A.04)** of the **General Catalogue**.

CONNECTIONS

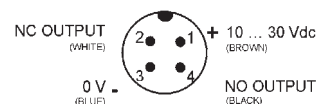


S50-XX-2



S50-XX-5

BROWN	1	+	10 ... 30 Vdc
WHITE	2		NC OUTPUT
BLACK	4		NO OUTPUT
BLUE	3	-	0 V





TECHNICAL DATA

	S50-PA-2-N03-NN	S50-PA-2-N03-PP	S50-PA-5-N03-NN	S50-PA-5-N03-PP	S50-MA-2-N03-NN	S50-MA-2-N03-PP	S50-MA-5-N03-NN	S50-MA-5-N03-PP
Operating distance:	4 ... 10 cm							
Power supply:	10 ... 30 Vdc ¹							
Ripple:	≤ 2 Vpp							
Consumption:	≤ 30 mA							
Light emission:	red LED 630 nm ²							
Spot dimension:	approx. 8 mm at 10 cm							
Setting:	teach-in push-button							
Setting procedure:	teach-in <i>EASYtouch</i> TM							
Indicators:								
	yellow OUTPUT LED							
	green / red READY / ERROR LED							
Output type:								
	PNP, NO and NC							
	NPN, NO and NC							
Output current:	≤ 100 mA							
Saturation voltage:	≤ 2 V							
Response time:	2 ms							
Switching frequency:	250 Hz							
Operating mode:	dark on NO / light on NC							
Connection:								
	2 m Ø 4 mm cable ³							
	M12 4-pole connector ⁴							
Electrical protection:	class 2							
Mechanical protection:	IP67							
Protection devices:	A, B ⁵							
Housing material:								
	PBT							
	nickel plated brass							
Lens material:	PMMA							
Weight:								
	75 g max.							
	25 g max.							
	110 g max.							
	60 g max.							
Operating temperature:	-25 ... +55°C							
Storage temperature:	-25 ... +70°C							
Reference standard:	EN 60947-5-2							

SELECTION TABLE

plastic - axial optics - 2 m cable		
S50-PA-2-N03-NN	952001680	NPN
S50-PA-2-N03-PP	952001440	PNP

metal - axial optics - 2 m cable		
S50-MA-2-N03-NN	952021560	NPN
S50-MA-2-N03-PP	952021080	PNP

plastic - axial optics - M12 connector		
S50-PA-5-N03-NN	952001570	NPN
S50-PA-5-N03-PP	952001450	PNP

metal - axial optics - M12 connector		
S50-MA-5-N03-NN	952021720	NPN
S50-MA-5-N03-PP	952021280	PNP

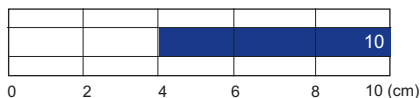
All the ordering codes and information are summarised in the last pages of this catalogue.

TECHNICAL NOTES

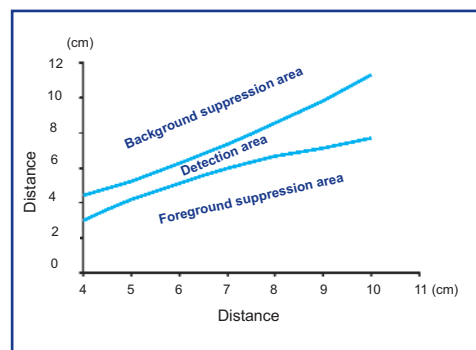
- ¹ Limit values
- ² Average life of 100.000 h with $T_A = +25^\circ\text{C}$
- ³ PVC, 4 x 0.14 mm²
- ⁴ Compatible with quick connection systems
- ⁵ A - reverse polarity protection
B - overload and short-circuit protection on the outputs



DETECTION DIAGRAMS



■ Operating distance



Detection hysteresis with *EASYtouch*TM acquisition

Note: in the fine acquisition mode, the foreground suppression distance is nearer to the point where the object has been acquired

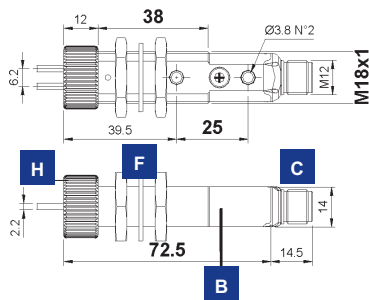
FIBRE-OPTIC AMPLIFIER WITH RED EMISSION

The amplifier is built to accept any standard 2.2 mm Ø fibre-optic which can be for either diffused or through beam operation. A locking ring when tightened holds the fibres firmly in position. The sensitivity is adjusted by an IP67 rated trimmer. The proximity or through beam fibres are mainly used in applications where space is of a premium and for detection of small objects. Special fibres are also available for high temperature and high wear applications. For further information on the extensive range of fibre-optic accessories please see the OF datasheet.

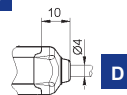
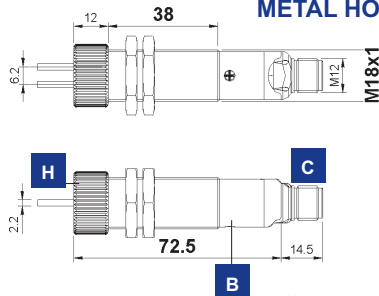


DIMENSIONS

PLASTIC HOUSING

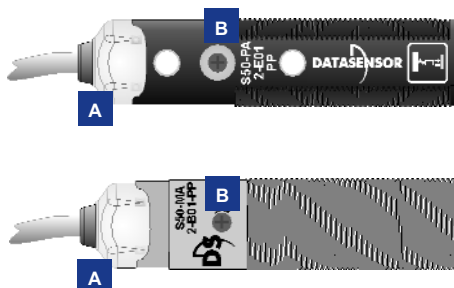


METAL HOUSING



mm

INDICATORS AND SETTINGS



- A** OUTPUT status and STABILITY LEDs
- B** Adjustment trimmer
- C** M12 connector output
- D** Cable output
- E** Fixing nuts
- F** Fixing gasket
- H** Fibre fixing nut

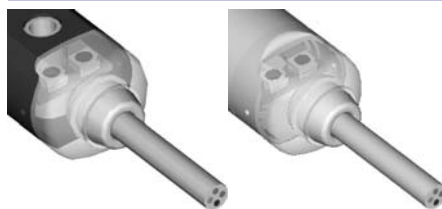
Single-turn trimmer for sensitivity adjustment. Rotate in a clockwise direction to increase the operating distance.

ACCESSORIES

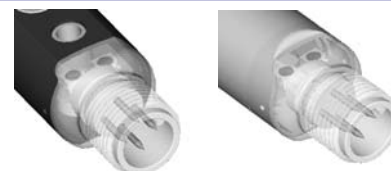
For dedicated accessories refer to the ACCESSORIES section of this catalogue.

Refer also to Fibre-optics (A.02), Connectors (A.03) and Fixing brackets (A.04) of the General Catalogue.

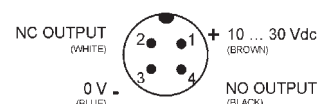
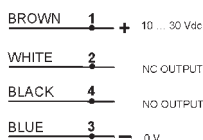
CONNECTIONS



S50-XX-2



S50-XX-5





TECHNICAL DATA

		S50-PA-2-E01-NN	S50-PA-2-E01-PP	S50-PA-5-E01-NN	S50-PA-5-E01-PP	S50-MA-2-E01-NN	S50-MA-2-E01-PP	S50-MA-5-E01-NN	S50-MA-5-E01-PP
Operating distance:									
proximity	3 cm (OF-42-ST-20 standard fibres)	●	●	●	●	●	●	●	●
through beam	10 cm (OF-43-ST-20 standard fibres)	●	●	●	●	●	●	●	●
Power supply:	10 ... 30 Vdc ¹	●	●	●	●	●	●	●	●
Ripple:	≤ 2 Vpp	●	●	●	●	●	●	●	●
Consumption:	≤ 35 mA	●	●	●	●	●	●	●	●
Light emission:	red LED 660 nm ²	●	●	●	●	●	●	●	●
Setting:	sensitivity trimmer ³	●	●	●	●	●	●	●	●
Indicators:									
	yellow OUTPUT LED	●	●	●	●	●	●	●	●
	green STABILITY	●	●	●	●	●	●	●	●
Output type:									
	PNP, NO and NC		●	●	●	●	●	●	●
	NPN, NO and NC	●	●	●	●	●	●	●	●
Output current:	≤ 100 mA	●	●	●	●	●	●	●	●
Saturation voltage:	≤ 2 V	●	●	●	●	●	●	●	●
Response time:	0.5 ms	●	●	●	●	●	●	●	●
Switching frequency:	1 kHz	●	●	●	●	●	●	●	●
Operating mode:	dark on NO / light on NC	●	●	●	●	●	●	●	●
Connection:									
	2 m Ø 4 mm cable ⁴	●	●	●	●	●	●	●	●
	M12 4-pole connector ⁵			●	●	●	●	●	●
Electrical protection:	class 2	●	●	●	●	●	●	●	●
Mechanical protection:	IP67	●	●	●	●	●	●	●	●
Protection devices:	A, B ⁶	●	●	●	●	●	●	●	●
Housing material:									
	PBT	●	●	●	●				
	nickel plated brass					●	●	●	●
Fibre fixing nut material:	ABS	●	●	●	●	●	●	●	●
Weight:									
	75 g max.	●	●						
	25 g max.			●	●				
	110 g max.					●	●		
	60 g max.							●	●
Operating temperature:	-25 ... +55°C	●	●	●	●	●	●	●	●
Storage temperature:	-25 ... +70°C	●	●	●	●	●	●	●	●
Reference standard:	EN 60947-5-2	●	●	●	●	●	●	●	●

SELECTION TABLE

plastic - axial optics - 2 m cable		
S50-PA-2-E01-NN	952001650	NPN
S50-PA-2-E01-PP	952001130	PNP

metal - axial optics - 2 m cable		
S50-MA-2-E01-NN	952021880	NPN
S50-MA-2-E01-PP	952021040	PNP

plastic - axial optics - M12 connector		
S50-PA-5-E01-NN	952001540	NPN
S50-PA-5-E01-PP	952001140	PNP

metal - axial optics - M12 connector		
S50-MA-5-E01-NN	952021890	NPN
S50-MA-5-E01-PP	952021240	PNP

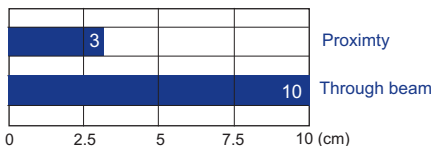
All the ordering codes and information are summarised in the last pages of this catalogue.

TECHNICAL NOTES

- 1 Limit values
- 2 Average life of 100.000 h with $T_A = +25^\circ\text{C}$
- 3 270° single-turn trimmer
- 4 PVC, 4 x 0.14 mm²
- 5 Compatible with quick connection systems
- 6 A - reverse polarity protection
B - overload and short-circuit protection on the outputs



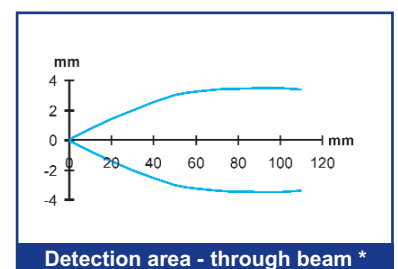
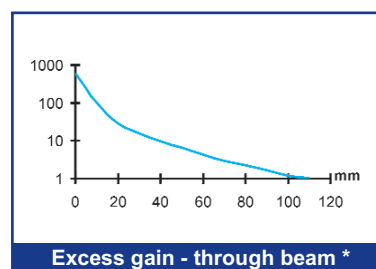
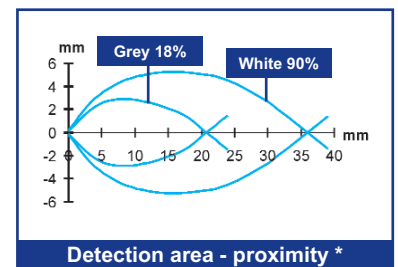
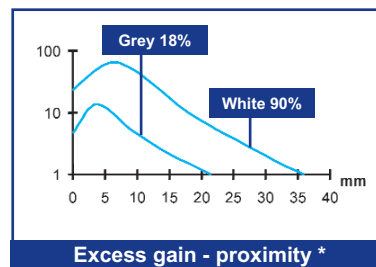
DETECTION DIAGRAMS



■ Operating distance with standard fibres

Standard fibre-optics:
OF-42-ST-20 proximity
OF-43-ST-20 through beam

High efficiency fibre-optics or accessory lenses can be used to obtain larger operating distances. Refer to **Fibre-optics** (A.02) of the **General Catalogue**.



* standard fibre-optics

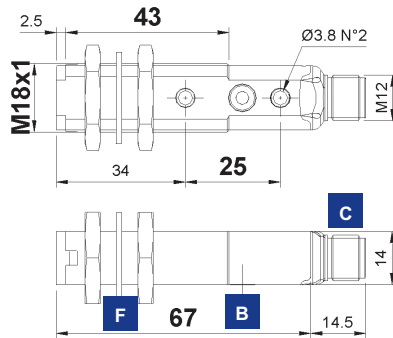


W CONTRAST SENSOR WITH WHITE EMISSION

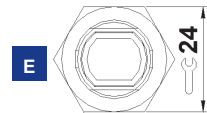
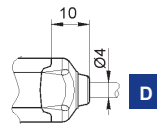
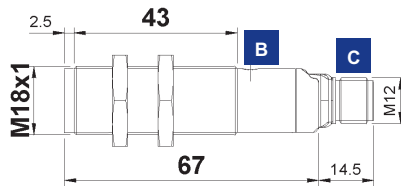
The white light LED emission is designed for the detection of a large number of coloured or grey-scale contrasts, in order to detect print registration marks or similar. The *EASYtouch™* setting procedures automatically selects the best detection conditions, simply by pressing the teach-in push-button once, in the presence of a reference mark. By pressing the teach-in push-button and holding it down until the green light on the rear of the sensor flashes, in the presence of the reference mark and then pressing the button again in the presence of the contrast you wish to ignore, a higher level of accuracy is obtained.

DIMENSIONS

PLASTIC HOUSING



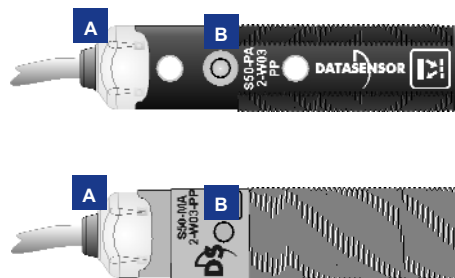
METAL HOUSING



mm



INDICATORS AND SETTINGS



- A** OUTPUT status and READY/ERROR LEDs
- B** Teach-in push-button
- C** M12 connector output
- D** Cable output
- E** Fixing nuts
- F** Fixing gasket

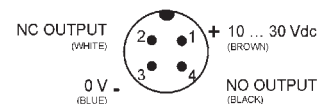
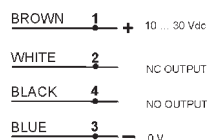
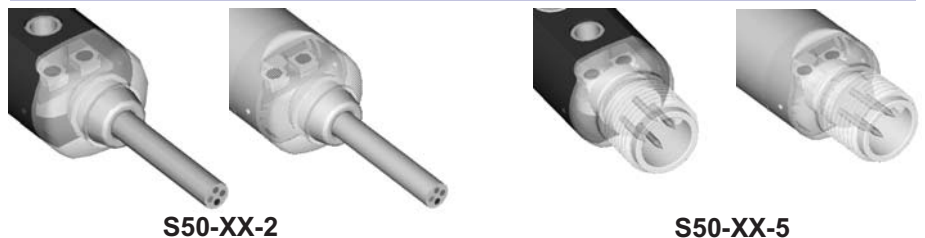
Teach-in button for setting.
EASYtouch™ provides two setting modes: standard or fine, both obtained by pressing the push-button only once. Please refer to instructions manual for operating details.

ACCESSORIES

For dedicated accessories refer to the **ACCESSORIES** section of this catalogue.

Refer also to **Fibre-optics (A.02)**, **Connectors (A.03)** and **Fixing brackets (A.04)** of the General Catalogue.

CONNECTIONS





TECHNICAL DATA

	S50-PA-2-W03-NN	S50-PA-2-W03-PP	S50-PA-5-W03-NN	S50-PA-5-W03-PP	S50-MA-2-W03-NN	S50-MA-2-W03-PP	S50-MA-5-W03-NN	S50-MA-5-W03-PP
Operating distance:	10 mm	•	•	•	•	•	•	•
Depth of field (max.):	± 2 mm	•	•	•	•	•	•	•
Power supply:	10 ... 30 Vdc ¹	•	•	•	•	•	•	•
Ripple:	≤ 2 Vpp	•	•	•	•	•	•	•
Consumption:	≤ 25 mA	•	•	•	•	•	•	•
Light emission:	white LED 400 - 700 nm ²	•	•	•	•	•	•	•
Spot dimension:	approx. 4.5 mm at 10 mm	•	•	•	•	•	•	•
Minimum detectable object:	0.5 mm	•	•	•	•	•	•	•
Setting:	teach-in push-button	•	•	•	•	•	•	•
Setting procedure:	teach-in <i>EASYtouch™</i>	•	•	•	•	•	•	•
Indicators:								
	yellow OUTPUT LED	•	•	•	•	•	•	•
	green / red READY / ERROR LED	•	•	•	•	•	•	•
Output type:								
	PNP, NO and NC		•	•		•		•
	NPN, NO and NC	•		•	•		•	
Output current:	≤ 100 mA	•	•	•	•	•	•	•
Saturation voltage:	≤ 2 V	•	•	•	•	•	•	•
Response time:	100 μs	•	•	•	•	•	•	•
Switching frequency:	5 kHz	•	•	•	•	•	•	•
Operating mode:								
	dark with <i>EASYtouch™</i>	•	•	•	•	•	•	•
	automatic dark / light with fine acq.	•	•	•	•	•	•	•
Connection:								
	2 m Ø 4 mm cable ³	•	•		•	•		
	M12 4-pole connector ⁴			•			•	•
Electrical protection:	class 2	•	•	•	•	•	•	•
Mechanical protection:	IP67	•	•	•	•	•	•	•
Protection devices:	A, B ⁵	•	•	•	•	•	•	•
Housing material:								
	PBT	•	•	•				
	nickel plated brass				•	•	•	•
Lens material:	PMMA	•	•	•	•	•	•	•
Weight:								
	75 g max.	•	•					
	25 g max.			•	•			
	110 g max.					•	•	
	60 g max.						•	•
Operating temperature:	-25 ... +55°C	•	•	•	•	•	•	•
Storage temperature:	-25 ... +70°C	•	•	•	•	•	•	•
Reference standard:	EN 60947-5-2	•	•	•	•	•	•	•

SELECTION TABLE

plastic - axial optics - 2 m cable		
S50-PA-2-W03-NN	952001710	NPN
S50-PA-2-W03-PP	952001320	PNP

metal - axial optics - 2 m cable		
S50-MA-2-W03-NN	952021590	NPN
S50-MA-2-W03-PP	952021110	PNP

plastic - axial optics - M12 connector		
S50-PA-5-W03-NN	952001600	NPN
S50-PA-5-W03-PP	952001330	PNP

metal - axial optics - M12 connector		
S50-MA-5-W03-NN	952021750	NPN
S50-MA-5-W03-PP	952021310	PNP

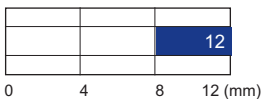
All the ordering codes and information are summarised in the last pages of this catalogue.

TECHNICAL NOTES

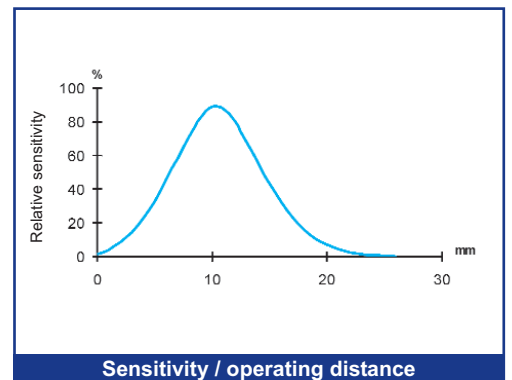
- ¹ Limit values
- ² Average life of 100.000 h with T_A = +25 °C
- ³ PVC, 4 x 0.14 mm²
- ⁴ Compatible with quick connection systems
- ⁵ A - reverse polarity protection
B - overload and short-circuit protection on the outputs



DETECTION DIAGRAMS



■ Operating distance

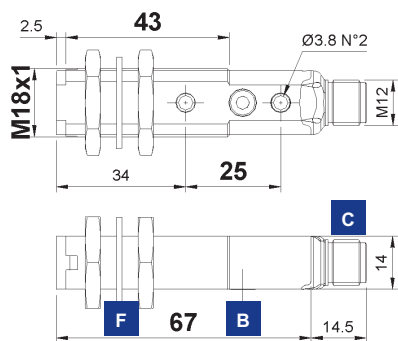


U LUMINESCENCE SENSOR WITH UV EMISSION

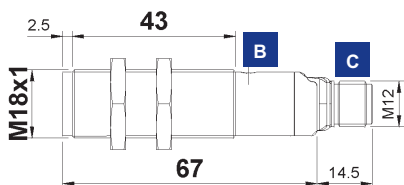
The UV light LED emission detects any luminescent reference, even on very reflective surfaces, such as ceramics, metal or mirrored glass. The **EASYtouch™** setting procedures fixes automatically the best detection conditions, simply by pressing the teach-in push-button once, with the luminescent object present. By pressing the teach-in push-button and holding it down until the green light on the rear of the sensor flashes, with the luminescent object present and then pressing the button again in the presence of a luminescent reference you wish to ignore, a higher level of accuracy is obtained.

DIMENSIONS

PLASTIC HOUSING

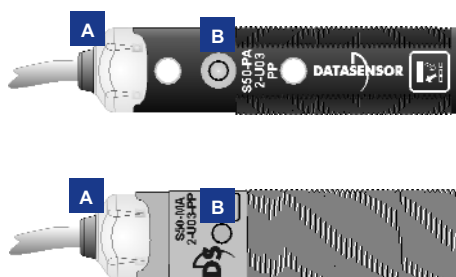


METAL HOUSING



mm

INDICATORS AND SETTINGS



- A** OUTPUT status and READY / ERROR LEDs
- B** Teach-in push-button
- C** M12 connector output
- D** Cable output
- E** Fixing nuts
- F** Fixing gasket

Teach-in button for setting.

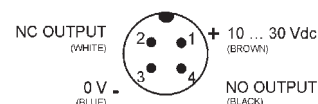
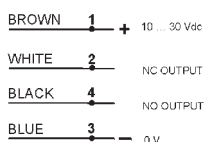
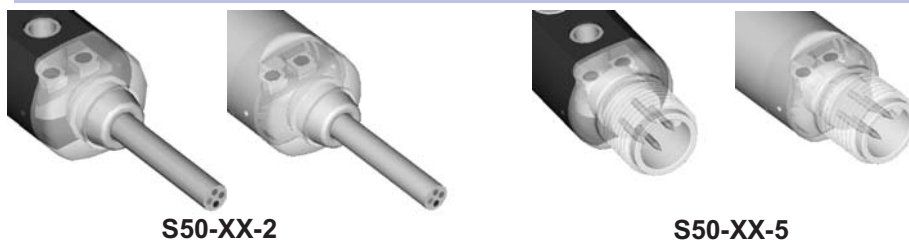
EASYtouch™ provides two setting modes: standard or fine, both obtained by pressing the push-button only once. Please refer to instructions manual for operating details.

ACCESSORIES

For dedicated accessories refer to the **ACCESSORIES** section of this catalogue.

Refer also to **Fibre-optics (A.02)**, **Connectors (A.03)** and **Fixing brackets (A.04)** of the General Catalogue.

CONNECTIONS





TECHNICAL DATA

	S50-PA-2-U03-NN	S50-PA-2-U03-PP	S50-PA-5-U03-NN	S50-PA-5-U03-PP	S50-MA-2-U03-NN	S50-MA-2-U03-PP	S50-MA-5-U03-NN	S50-MA-5-U03-PP
Operating distance:	8 ... 20 mm							
Power supply:	10 ... 30 Vdc ¹							
Ripple:	≤ 2 Vpp							
Consumption:	≤ 25 mA							
Light emission:	UV LED 370 nm ²							
Spot dimension:	approx. 3 mm at 20 mm							
Minimum detectable object:	0.5 mm							
Setting:	teach-in push-button							
Setting procedure:	teach-in <i>EASYtouch</i> TM							
Indicators:								
	yellow OUTPUT LED							
	green / red READY / ERROR LED							
Output type:								
	PNP, NO and NC							
	NPN, NO and NC							
Output current:	≤ 100 mA							
Saturation voltage:	≤ 2 V							
Response time:	500 μs							
Switching frequency:	1 kHz							
Operating mode:								
	dark with <i>EASYtouch</i> TM							
	automatic dark / light with fine acq.							
Connection:								
	2 m Ø 4 mm cable ³							
	M12 4-pole connector ⁴							
Electrical protection:	class 2							
Mechanical protection:	IP67							
Protection devices:	A, B ⁵							
Housing material:								
	PBT							
	nickel plated brass							
Lens material:	PMMA							
Weight:								
	75 g max.							
	25 g max.							
	110 g max.							
	60 g max.							
Operating temperature:	-25 ... +55°C							
Storage temperature:	-25 ... +70°C							
Reference standard:	EN 60947-5-2							

SELECTION TABLE

plastic - axial optics - 2 m cable		
S50-PA-2-U03-NN	952001700	NPN
S50-PA-2-U03-PP	952001300	PNP

metal - axial optics - 2 m cable		
S50-MA-2-U03-NN	952021580	NPN
S50-MA-2-U03-PP	952021100	PNP

plastic - axial optics - M12 connector		
S50-PA-5-U03-NN	952001590	NPN
S50-PA-5-U03-PP	952001310	PNP

metal - axial optics - M12 connector		
S50-MA-5-U03-NN	952021740	NPN
S50-MA-5-U03-PP	952021300	PNP

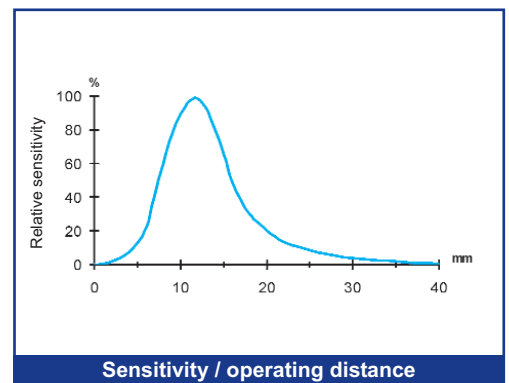
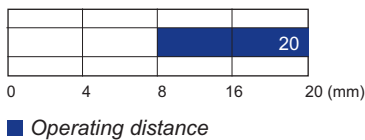
All the ordering codes and information are summarised in the last pages of this catalogue.

TECHNICAL NOTES

- ¹ Limit values
- ² Average life of 100.000 h with $T_A = +25^\circ\text{C}$
- ³ PVC, 4 x 0.14 mm²
- ⁴ Compatible with quick connection systems
- ⁵ A - reverse polarity protection
B - overload and short-circuit protection on the outputs



DETECTION DIAGRAMS



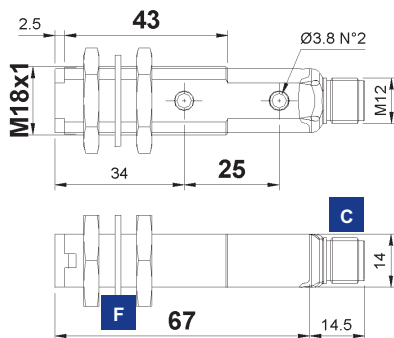
Y DISTANCE SENSOR WITH RED EMISSION

This sensor gives an analogue 0-10 Vdc output proportional to an object's distance from the face of the sensor over a distance of 100 mm. The light intensity of the yellow indicator LED at the rear of the sensor is proportional to the object's distance, the red LED turns on when the object is outside the measurement field.

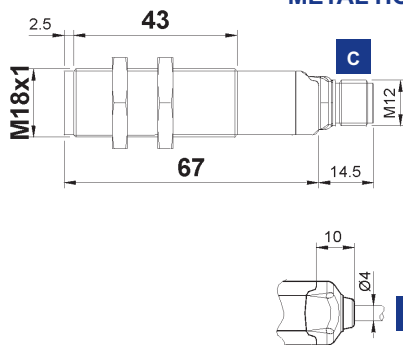


DIMENSIONS

PLASTIC HOUSING

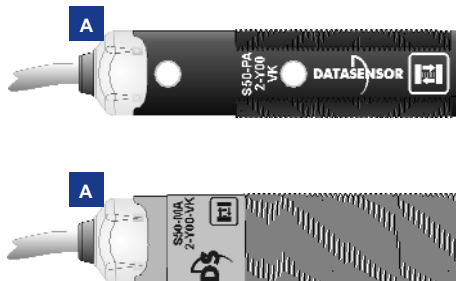


METAL HOUSING



mm

INDICATORS AND SETTINGS



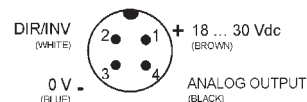
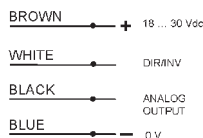
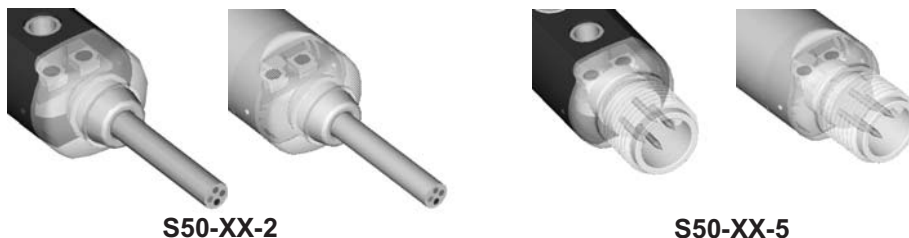
- A** OUTPUT status and field LEDs
- C** M12 connector output
- D** Cable output
- E** Fixing nuts
- F** Fixing gasket

ACCESSORIES

For dedicated accessories refer to the **ACCESSORIES** section of this catalogue.

Refer also to **Connectors (A.03)** and **Fixing brackets (A.04)** of the **General Catalogue**.

CONNECTIONS





TECHNICAL DATA

		S50-PA-2-Y00-VK	S50-PA-5-Y00-VK	S50-MA-2-Y00-VK	S50-MA-5-Y00-VK
Operating distance:	5 ... 10 cm	●	●	●	●
Power supply:	18 ... 30 Vdc ¹	●	●	●	●
Ripple:	≤ 2 Vpp	●	●	●	●
Consumption:	≤ 30 mA	●	●	●	●
Light emission:	red LED 630 nm ²	●	●	●	●
Spot dimension:	approx. 8 mm at 10 cm	●	●	●	●
Indicators:					
	yellow proportional OUTPUT LED	●	●	●	●
	red field LED	●	●	●	●
Output type:	analogue with 0 ... 10V voltage	●	●	●	●
Output resistance:	2 kΩ	●	●	●	●
Load resistance:	≥ 20 kΩ	●	●	●	●
Response time:	3,33 ms	●	●	●	●
Switching frequency:	150 Hz	●	●	●	●
Resolution:	1 mm / 200 mV	●	●	●	●
Operating mode:	direct / inverse proportionality ³	●	●	●	●
Connection:					
	2 m Ø 4 mm cable ⁴	●	●		
	M12 4-pole connector ⁵		●	●	
Electrical protection:	class 2	●	●	●	●
Mechanical protection:	IP67	●	●	●	●
Protection devices:	A, B ⁶	●	●	●	●
Housing material:					
	PBT	●	●		
	nickel plated brass			●	●
Lens material:	PMMA	●	●	●	●
Weight:					
	75 g max.	●			
	25 g max.		●		
	110 g max.			●	
	60 g max.				●
Operating temperature:	-25 ... +55°C	●	●	●	●
Storage temperature:	-25 ... +70°C	●	●	●	●
Reference standard:	EN 60947-5-2	●	●	●	●

SELECTION TABLE

plastic - axial optics - 2 m cable	
S50-PA-2-Y00-VK	952001340
metal - axial optics - 2 m cable	
S50-MA-2-Y00-VK	952021120
plastic - axial optics - M12 connector	
S50-PA-5-Y00-VK	952001350
metal - axial optics - M12 connector	
S50-MA-5-Y00-VK	952021320

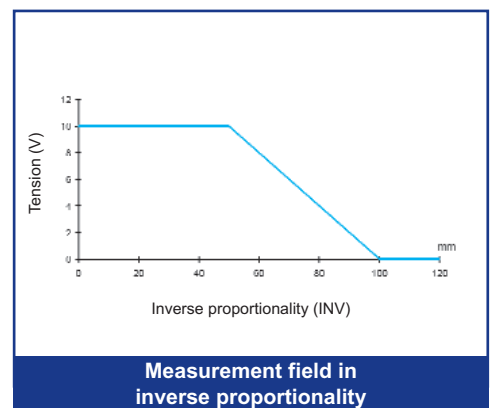
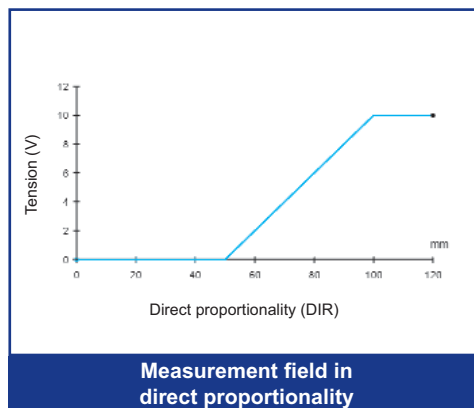
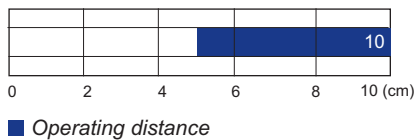
All the ordering codes and information are summarised in the last pages of this catalogue.

TECHNICAL NOTES

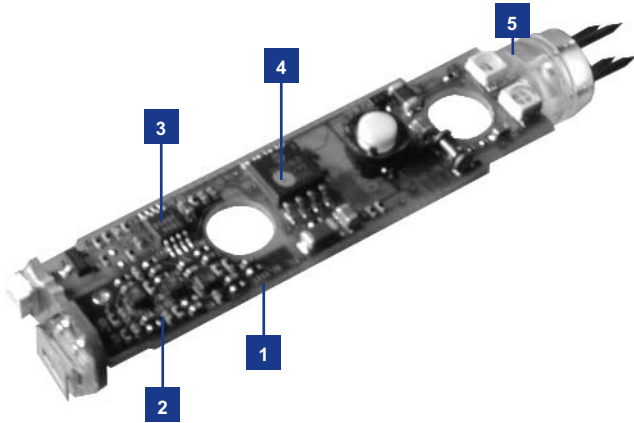
- ¹ Limit values
- ² Average life of 100.000 h with T_A = +25 °C
- ³ Direct proportionality (DIR) is activated when white wire is connected to +Vdc; Inverse proportionality (INV) is activated when white wire is connected to 0 V. The white wire must always be connected.
- ⁴ PVC, 4 x 0.14 mm²
- ⁵ Compatible with quick connection systems
- ⁶ A - reverse polarity protection
B - overload and short-circuit protection on the outputs



DETECTION DIAGRAMS



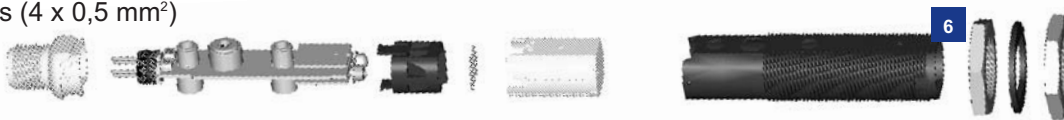
TECHNOLOGY



- 1** Multi-layer fine-line PCB
- 2** Chip-size components, integrated circuits in 8 bumps flip-chip
- 3** Analogue digital ASIC
- 4** Power ASIC for antivalent outputs
- 5** M12 custom connector compatible with quick connection systems. The four terminals are cone-shaped to facilitate the direct insertion in the cable conductors (4 x 0,5 mm²)



- 6** Housing and fixing nuts in indeformable plastic providing excellent resistance against hostile environments. Indelible laser marking
- 7** A modular product developed for the automation of the assembling and testing process necessary to guarantee intrinsic quality, repeatability and reliability. One-piece-flow management for improved service



EASYtouch™ is a **Datasensor** patent-covered technology that allows a rapid and safe setting of micro-controlled sensors equipped with a teach-in push-button. A pressure longer than two seconds of the push-button allows a good adjustment of the sensitivity threshold. **EASYtouch™** is the easiest and fastest calibration procedure available on the market. The instructions on how to best use **EASYtouch™** are given in the product's instruction manual.

ACCESSORIES

The series is compatible with all the **Datasensor** accessories already developed for tubular sensors. In the **General Catalogue** refer to:

- **CS** connectors
- **R** reflectors
- **OF** fibre-optics
- **ST** fixing brackets

New accessories dedicated to the **S50** series have been developed to cover all the fixing requirements and to improve the functioning.

In particular **EASYin™** is an innovative fixing system that can be used only for the plastic flat version, that allows a fast and safe positioning of the sensor, facilitating the adjustment as well as the locking and unlocking.

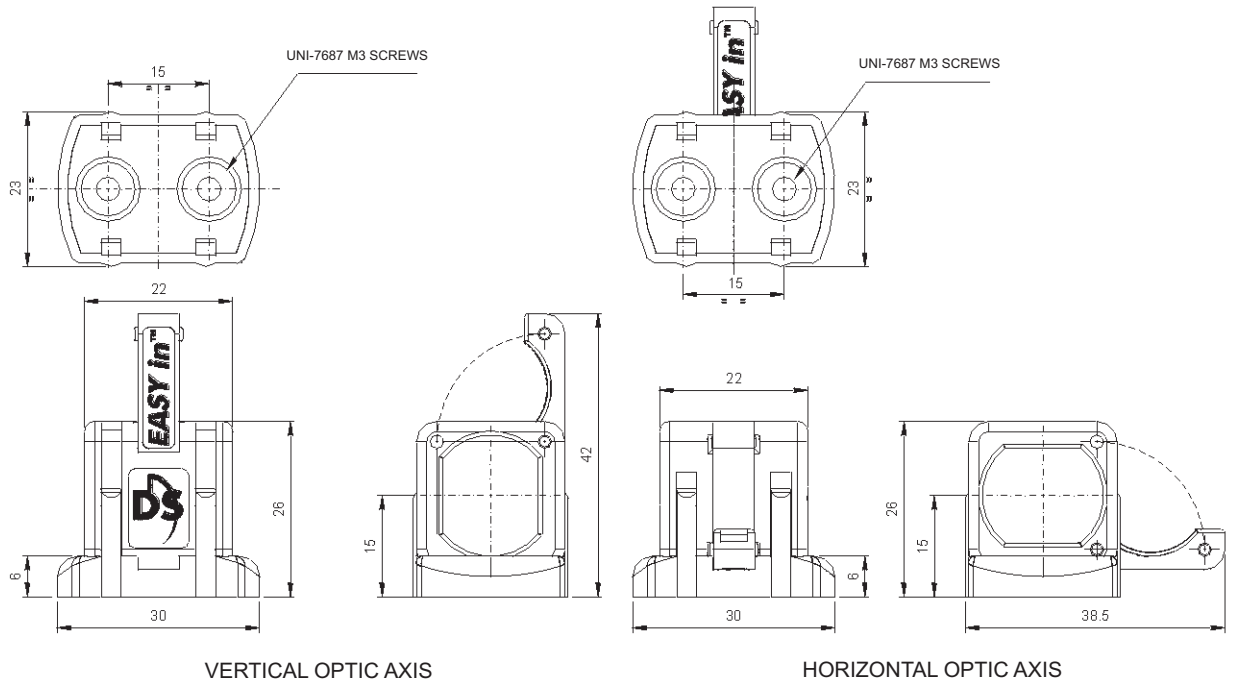


ACCESSORIES SELECTION TABLE AND ORDER INFORMATION

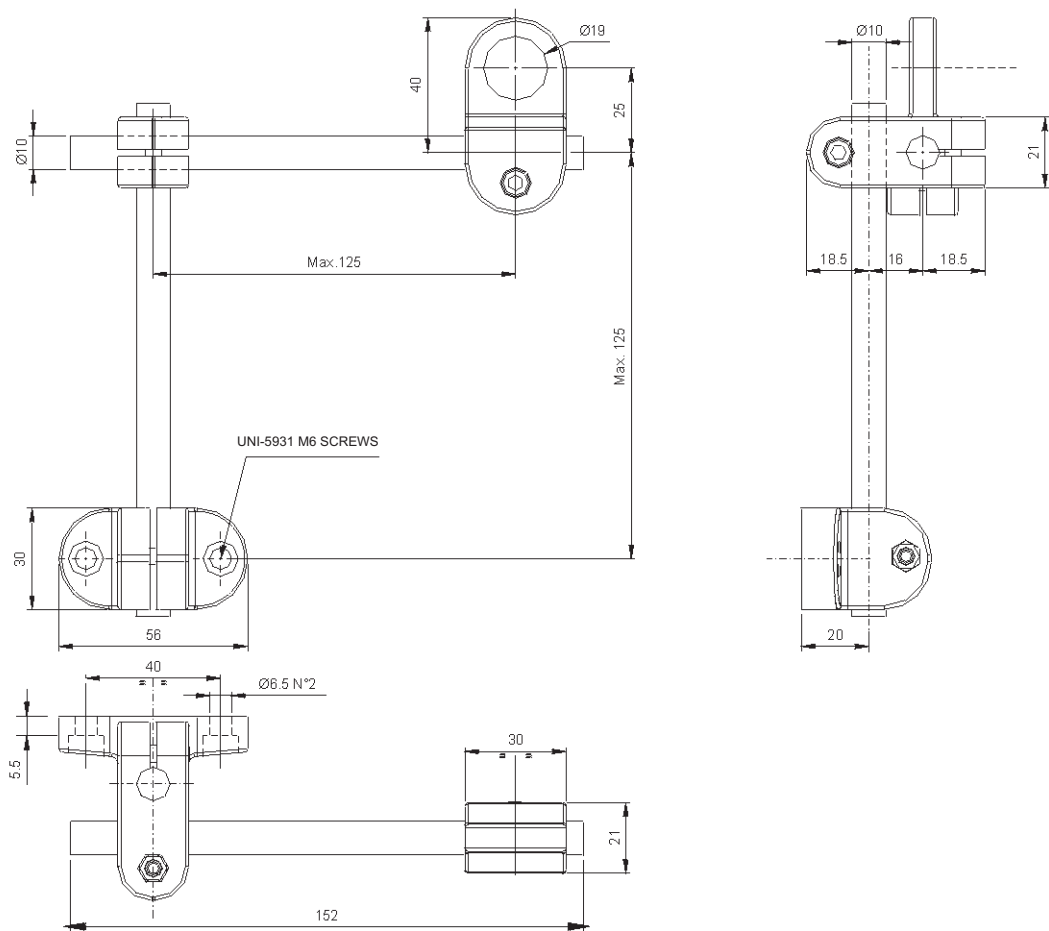
MODEL	DESCRIPTION	ORDER N°
ST-5010	M18/14 fixing bracket	95ACC5230
ST-5011	M18 fixing bracket	95ACC5240
ST-5012	M18 fixing bracket	95ACC5250
ST-5017	M18 fixing bracket	95ACC5270
S50 EASY-IN	M18/14 EASYin™ adjustable fixing support	95ACC5300
JOINT-18	M18 jointed support	95ACC5220
SWING-18	adjustable support for plastic tubular M18 sensors	895000006
MICRO-18	support with micrometric regulation for tubular M18 sensors	95ACC1380
SP-40	fixed support for tubular M18 sensors	95ACC1370
MEK-PROOF	front protection	G5000001

Refer also to **Accessories for Sensors** of the **General Catalogue**

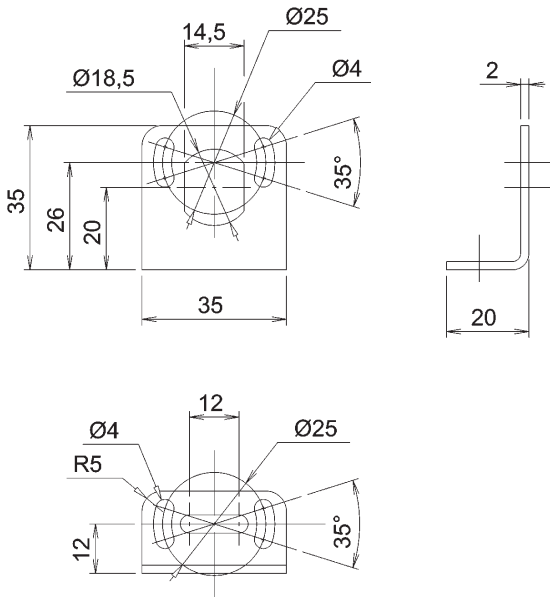
S50 EASYin™



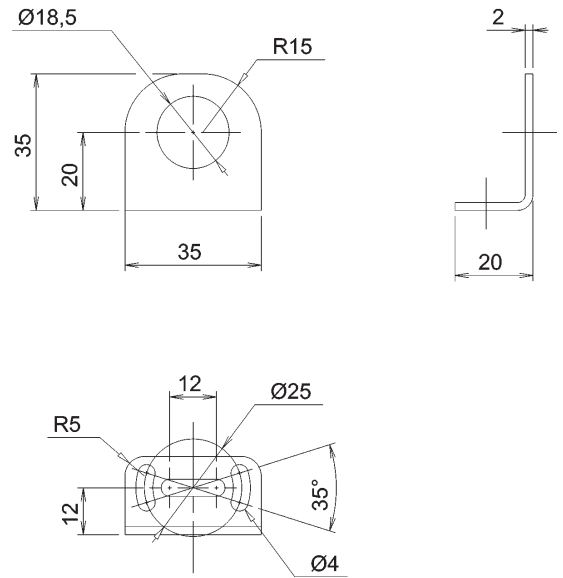
JOINT-18



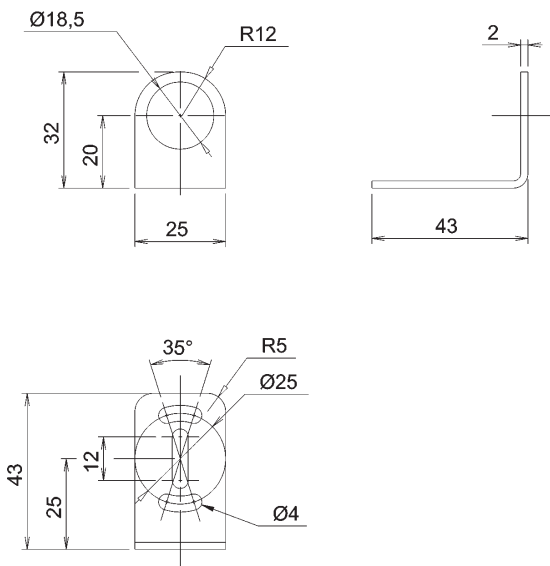
ST-5010



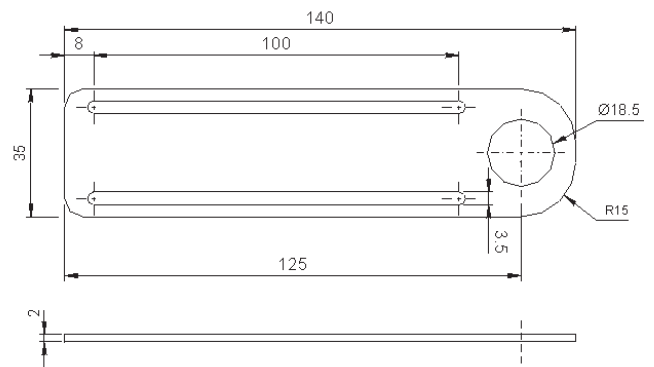
ST-5011



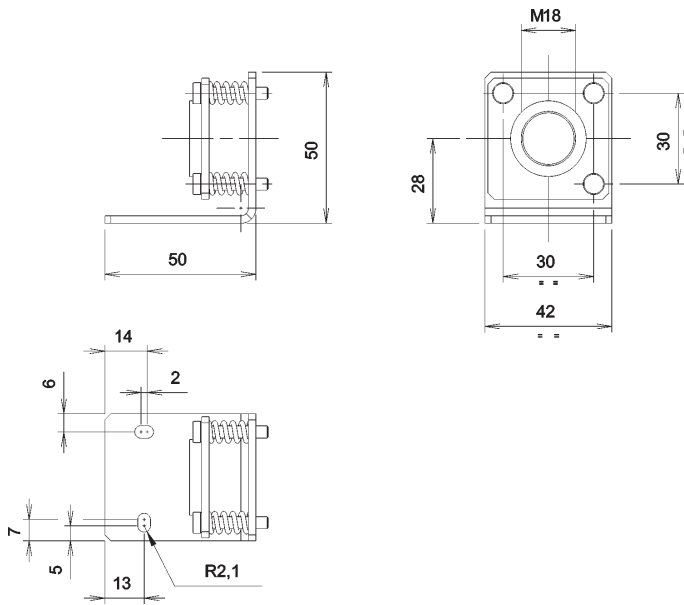
ST-5012



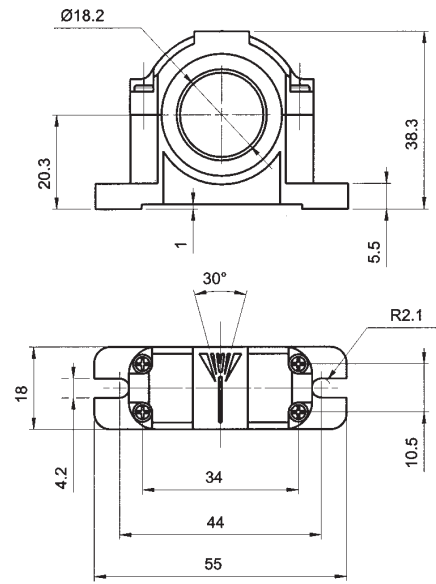
ST-5017



MICRO-18

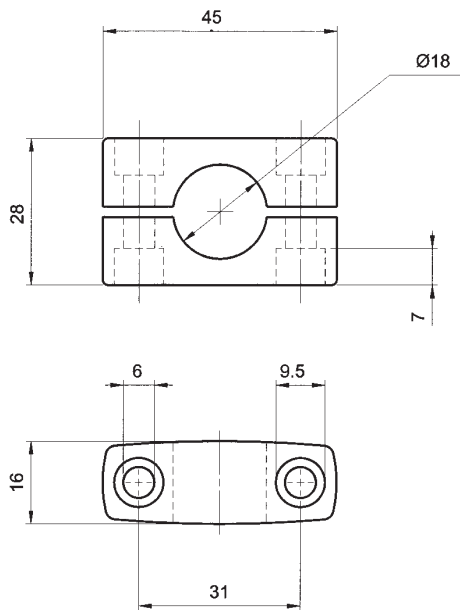


SWING-18

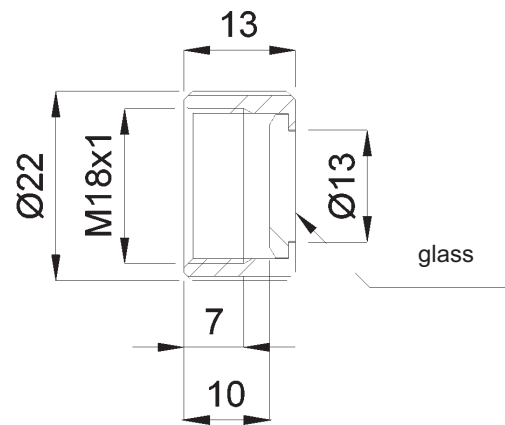


* 2 nuts are included

SP-40



MEK PROOF



MODEL ALPHABETICAL INDEX

PLASTIC FLAT HOUSING WITH AXIAL OPTICS

MODEL	CODE N°	OPTIC FUNCTION	PAGE
S50-PA-2-A00-NN	952002090	retroreflex	10
S50-PA-2-A00-PP	952002080	retroreflex	10
S50-PA-2-B01-NN	952001610	polarised retroreflex	12
S50-PA-2-B01-PP	952001010	polarised retroreflex	12
S50-PA-2-C01-NN	952001620	long diffuse proximity	22
S50-PA-2-C01-PP	952001050	long diffuse proximity	22
S50-PA-2-C10-NN	952001630	short diffuse proximity	18
S50-PA-2-C10-PP	952001240	short diffuse proximity	18
S50-PA-2-C21-NN	952002170	mid diffuse proximity	20
S50-PA-2-C21-PP	952002160	mid diffuse proximity	20
S50-PA-2-D00-NN	952001640	fixed focus proximity	24
S50-PA-2-D00-PP	952001090	fixed focus proximity	24
S50-PA-2-E01-NN	952001650	fibre-optic amplifier	34
S50-PA-2-E01-PP	952001130	fibre-optic amplifier	34
S50-PA-2-F01-NN	952001660	receiver	2
S50-PA-2-F01-PP	952001150	receiver	2
S50-PA-2-G00-XG	952001190	emitter	2
S50-PA-2-M03-NN	952001670	background suppression	28
S50-PA-2-M03-PP	952001230	background suppression	28
S50-PA-2-N03-NN	952001680	fore-background suppression	32
S50-PA-2-N03-PP	952001440	fore-background suppression	32
S50-PA-2-T01-NN	952001690	retroreflex for transparents	16
S50-PA-2-T01-PP	952001260	retroreflex for transparents	16
S50-PA-2-U03-NN	952001700	luminescence sensor	38
S50-PA-2-U03-PP	952001300	luminescence sensor	38
S50-PA-2-W03-NN	952001710	contrast sensor	36
S50-PA-2-W03-PP	952001320	contrast sensor	36
S50-PA-2-Y00-VK	952001340	distance sensor	40
S50-PA-5-A00-NN	952002110	retroreflex	10
S50-PA-5-A00-PP	952002100	retroreflex	10
S50-PA-5-B01-NN	952001500	polarised retroreflex	12
S50-PA-5-B01-PP	952001020	polarised retroreflex	12
S50-PA-5-C01-NN	952001510	long diffuse proximity	22
S50-PA-5-C01-PP	952001060	long diffuse proximity	22
S50-PA-5-C10-NN	952001520	short diffuse proximity	18
S50-PA-5-C10-PP	952001250	short diffuse proximity	18
S50-PA-5-C21-NN	952002190	mid diffuse proximity	20
S50-PA-5-C21-PP	952002180	mid diffuse proximity	20
S50-PA-5-D00-NN	952001530	fixed focus proximity	24
S50-PA-5-D00-PP	952001100	fixed focus proximity	24
S50-PA-5-E01-NN	952001540	fibre-optic amplifier	34
S50-PA-5-E01-PP	952001140	fibre-optic amplifier	34
S50-PA-5-F01-NN	952001550	receiver	2
S50-PA-5-F01-PP	952001160	receiver	2
S50-PA-5-G00-XG	952001200	emitter	2
S50-PA-5-M03-NN	952001560	background suppression	28
S50-PA-5-M03-PP	952001000	background suppression	28
S50-PA-5-N03-NN	952001570	fore-background suppression	32
S50-PA-5-N03-PP	952001450	fore-background suppression	32
S50-PA-5-T01-NN	952001580	retroreflex for transparents	16
S50-PA-5-T01-PP	952001270	retroreflex for transparents	16
S50-PA-5-U03-NN	952001590	luminescence sensor	38
S50-PA-5-U03-PP	952001310	luminescence sensor	38
S50-PA-5-W03-NN	952001600	contrast sensor	36
S50-PA-5-W03-PP	952001330	contrast sensor	36
S50-PA-5-Y00-VK	952001350	distance sensor	40

PLASTIC FLAT HOUSING WITH RADIAL OPTICS

MODEL	CODE N°	OPTIC FUNCTION	PAGE
S50-PR-2-B01-NN	952001780	polarised retroreflex	12
S50-PR-2-B01-PP	952001030	polarised retroreflex	12
S50-PR-2-C01-NN	952001790	long diffuse proximity	22
S50-PR-2-C01-PP	952001070	long diffuse proximity	22
S50-PR-2-C10-NN	952001800	short diffuse proximity	18
S50-PR-2-C10-PP	952001490	short diffuse proximity	18
S50-PR-2-D00-NN	952001810	fixed focus proximity	24
S50-PR-2-D00-PP	952001110	fixed focus proximity	24
S50-PR-2-F01-NN	952001820	receiver	2
S50-PR-2-F01-PP	952001170	receiver	2
S50-PR-2-G00-XG	952001210	emitter	2
S50-PR-2-T01-NN	952001830	retroreflex for transparents	16
S50-PR-2-T01-PP	952001280	retroreflex for transparents	16
S50-PR-5-B01-NN	952001720	polarised retroreflex	12
S50-PR-5-B01-PP	952001040	polarised retroreflex	12
S50-PR-5-C01-NN	952001730	long diffuse proximity	22
S50-PR-5-C01-PP	952001080	long diffuse proximity	22
S50-PR-5-C10-NN	952001740	short diffuse proximity	18
S50-PR-5-C10-PP	952001480	short diffuse proximity	18
S50-PR-5-D00-NN	952001750	fixed focus proximity	24
S50-PR-5-D00-PP	952001120	fixed focus proximity	24
S50-PR-5-F01-NN	952001760	receiver	2
S50-PR-5-F01-PP	952001180	receiver	2
S50-PR-5-G00-XG	952001220	emitter	2
S50-PR-5-T01-NN	952001770	retroreflex for transparents	16
S50-PR-5-T01-PP	952001290	retroreflex for transparents	16

PLASTIC FLAT HOUSING WITH LATERAL OPTICS

MODEL	CODE N°	OPTIC FUNCTION	PAGE
S50-PS-2-M03-NN	952001900	background suppression	30
S50-PS-2-M03-PP	952001910	background suppression	30
S50-PS-5-M03-NN	952001920	background suppression	30
S50-PS-5-M03-PP	952001930	background suppression	30

PLASTIC FLAT HOUSING WITH LASER AXIAL OPTICS

MODEL	CODE N°	OPTIC FUNCTION	PAGE
S50-PL-2-B01-NN	952001870	laser retroreflex	14
S50-PL-2-B01-PP	952001360	laser retroreflex	14
S50-PL-2-C01-NN	952001880	laser proximity	26
S50-PL-2-C01-PP	952001380	laser proximity	26
S50-PL-2-F01-NN	952001890	laser receiver	6
S50-PL-2-F01-PP	952001400	laser receiver	6
S50-PL-2-G00-XG	952001420	laser emitter	6
S50-PL-5-B01-NN	952001840	laser retroreflex	14
S50-PL-5-B01-PP	952001370	laser retroreflex	14
S50-PL-5-C01-NN	952001850	laser proximity	26
S50-PL-5-C01-PP	952001390	laser proximity	26
S50-PL-5-F01-NN	952001860	laser receiver	6
S50-PL-5-F01-PP	952001410	laser receiver	6
S50-PL-5-G00-XG	952001430	laser emitter	6

PLASTIC FLAT HOUSING WITH LASER RADIAL OPTICS

MODEL	CODE N°	OPTIC FUNCTION	PAGE
S50-PH-2-B01-NN	952001950	laser retroreflex	14
S50-PH-2-B01-PP	952001940	laser retroreflex	14
S50-PH-2-C01-NN	952001990	laser proximity	26
S50-PH-2-C01-PP	952001980	laser proximity	26
S50-PH-2-F01-NN	952002030	laser receiver	6
S50-PH-2-F01-PP	952002020	laser receiver	6
S50-PH-2-G00-XG	952002060	laser emitter	6
S50-PH-5-B01-NN	952001970	laser retroreflex	14
S50-PH-5-B01-PP	952001960	laser retroreflex	14
S50-PH-5-C01-NN	952002010	laser proximity	26
S50-PH-5-C01-PP	952002000	laser proximity	26
S50-PH-5-F01-NN	952002050	laser receiver	6
S50-PH-5-F01-PP	952002040	laser receiver	6
S50-PH-5-G00-XG	952002070	laser emitter	6

MODEL ALPHABETICAL INDEX

METAL CYLINDRICAL HOUSING WITH AXIAL OPTICS

MODEL	CODE N°	OPTIC FUNCTION	PAGE
S50-MA-2-A00-NN	952022090	retroreflex	10
S50-MA-2-A00-PP	952022080	retroreflex	10
S50-MA-2-B01-NN	952021500	polarised retroreflex	12
S50-MA-2-B01-PP	952021000	polarised retroreflex	12
S50-MA-2-C01-NN	952021510	long diffuse proximity	22
S50-MA-2-C01-PP	952021010	long diffuse proximity	22
S50-MA-2-C10-NN	952021520	short diffuse proximity	18
S50-MA-2-C10-PP	952021020	short diffuse proximity	18
S50-MA-2-C21-NN	952022130	midi diffuse proximity	20
S50-MA-2-C21-PP	952022120	midi diffuse proximity	20
S50-MA-2-D00-NN	952021530	fixed focus proximity	24
S50-MA-2-D00-PP	952021030	fixed focus proximity	24
S50-MA-2-E01-NN	952021880	fibre-optic amplifier	34
S50-MA-2-E01-PP	952021040	fibre-optic amplifier	34
S50-MA-2-F01-NN	952021540	receiver	4
S50-MA-2-F01-PP	952021050	receiver	4
S50-MA-2-G00-XG	952021060	emitter	4
S50-MA-2-M03-NN	952021550	background suppression	28
S50-MA-2-M03-PP	952021070	background suppression	28
S50-MA-2-N03-NN	952021560	fore-background suppression	32
S50-MA-2-N03-PP	952021080	fore-background suppression	32
S50-MA-2-T01-NN	952021570	retroreflex for transparents	16
S50-MA-2-T01-PP	952021090	retroreflex for transparents	16
S50-MA-2-U03-NN	952021580	luminescence sensor	38
S50-MA-2-U03-PP	952021100	luminescence sensor	38
S50-MA-2-W03-NN	952021590	contrast sensor	36
S50-MA-2-W03-PP	952021110	contrast sensor	36
S50-MA-2-Y00-VK	952021120	distance sensor	40
S50-MA-5-A00-NN	952022110	retroreflex	10
S50-MA-5-A00-PP	952022100	retroreflex	10
S50-MA-5-B01-NN	952021660	polarised retroreflex	12
S50-MA-5-B01-PP	952021200	polarised retroreflex	12
S50-MA-5-C01-NN	952021670	long diffuse proximity	22
S50-MA-5-C01-PP	952021210	long diffuse proximity	22
S50-MA-5-C10-NN	952021680	short diffuse proximity	18
S50-MA-5-C10-PP	952021220	short diffuse proximity	18
S50-MA-5-C21-NN	952022150	midi diffuse proximity	20
S50-MA-5-C21-PP	952022140	midi diffuse proximity	20
S50-MA-5-D00-NN	952021690	fixed focus proximity	24
S50-MA-5-D00-PP	952021230	fixed focus proximity	24
S50-MA-5-E01-NN	952021890	fibre-optic amplifier	34
S50-MA-5-E01-PP	952021240	fibre-optic amplifier	34
S50-MA-5-F01-NN	952021700	receiver	4
S50-MA-5-F01-PP	952021250	receiver	4
S50-MA-5-G00-XG	952021260	emitter	4
S50-MA-5-M03-NN	952021710	background suppression	28
S50-MA-5-M03-PP	952021270	background suppression	28
S50-MA-5-N03-NN	952021720	fore-background suppression	32
S50-MA-5-N03-PP	952021280	fore-background suppression	32
S50-MA-5-T01-NN	952021730	retroreflex for transparents	16
S50-MA-5-T01-PP	952021290	retroreflex for transparents	16
S50-MA-5-U03-NN	952021740	luminescence sensor	38
S50-MA-5-U03-PP	952021300	luminescence sensor	38
S50-MA-5-W03-NN	952021750	contrast sensor	36
S50-MA-5-W03-PP	952021310	contrast sensor	36
S50-MA-5-Y00-VK	952021320	distance sensor	40

METAL CYLINDRICAL HOUSING WITH RADIAL OPTICS

MODEL	CODE N°	OPTIC FUNCTION	PAGE
S50-MR-2-B01-NN	952021600	polarised retroreflex	12
S50-MR-2-B01-PP	952021140	polarised retroreflex	12
S50-MR-2-C01-NN	952021610	long diffuse proximity	22
S50-MR-2-C01-PP	952021150	long diffuse proximity	22
S50-MR-2-C10-NN	952021620	short diffuse proximity	18
S50-MR-2-C10-PP	952021490	short diffuse proximity	18
S50-MR-2-D00-NN	952021630	fixed focus proximity	24
S50-MR-2-D00-PP	952021160	fixed focus proximity	24
S50-MR-2-F01-NN	952021640	receiver	4
S50-MR-2-F01-PP	952021170	receiver	4
S50-MR-2-G00-XG	952021180	emitter	4
S50-MR-2-T01-NN	952021650	retroreflex for transparents	16
S50-MR-2-T01-PP	952021190	retroreflex for transparents	16
S50-MR-5-B01-NN	952021760	polarised retroreflex	12
S50-MR-5-B01-PP	952021340	polarised retroreflex	12
S50-MR-5-C01-NN	952021770	long diffuse proximity	22
S50-MR-5-C01-PP	952021350	long diffuse proximity	22
S50-MR-5-C10-NN	952021780	short diffuse proximity	18
S50-MR-5-C10-PP	952021480	short diffuse proximity	18
S50-MR-5-D00-NN	952021790	fixed focus proximity	24
S50-MR-5-D00-PP	952021360	fixed focus proximity	24
S50-MR-5-F01-NN	952021800	receiver	4
S50-MR-5-F01-PP	952021370	receiver	4
S50-MR-5-G00-XG	952021380	emitter	4
S50-MR-5-T01-NN	952021810	retroreflex for transparents	16
S50-MR-5-T01-PP	952021390	retroreflex for transparents	16

METAL CYLINDRICAL HOUSING WITH LATERAL OPTICS

MODEL	CODE N°	OPTIC FUNCTION	PAGE
S50-MS-2-M03-NN	952021900	background suppression	30
S50-MS-2-M03-PP	952021910	background suppression	30
S50-MS-5-M03-NN	952021920	background suppression	30
S50-MS-5-M03-PP	952021930	background suppression	30

METAL CYLINDRICAL HOUSING WITH LASER AXIAL OPTICS

MODEL	CODE N°	OPTIC FUNCTION	PAGE
S50-ML-2-B01-NN	952021820	laser retroreflex	14
S50-ML-2-B01-PP	952021400	laser retroreflex	14
S50-ML-2-C01-NN	952021830	laser proximity	26
S50-ML-2-C01-PP	952021410	laser proximity	26
S50-ML-2-F01-NN	952021840	laser receiver	8
S50-ML-2-F01-PP	952021420	laser receiver	8
S50-ML-2-G00-XG	952021430	laser emitter	8
S50-ML-5-B01-NN	952021850	laser retroreflex	14
S50-ML-5-B01-PP	952021440	laser retroreflex	14
S50-ML-5-C01-NN	952021860	laser proximity	26
S50-ML-5-C01-PP	952021450	laser proximity	26
S50-ML-5-F01-NN	952021870	laser receiver	8
S50-ML-5-F01-PP	952021460	laser receiver	8
S50-ML-5-G00-XG	952021470	laser emitter	8

METAL CYLINDRICAL HOUSING WITH LASER RADIAL OPTICS

MODEL	CODE N°	OPTIC FUNCTION	PAGE
S50-MH-2-B01-NN	952021940	laser retroreflex	14
S50-MH-2-B01-PP	952021950	laser retroreflex	14
S50-MH-2-C01-NN	952021990	laser proximity	26
S50-MH-2-C01-PP	952021980	laser proximity	26
S50-MH-2-F01-NN	952022030	laser receiver	8
S50-MH-2-F01-PP	952022020	laser receiver	8
S50-MH-2-G00-XG	952022060	laser emitter	8
S50-MH-5-B01-NN	952021970	laser retroreflex	14
S50-MH-5-B01-PP	952021960	laser retroreflex	14
S50-MH-5-C01-NN	952022010	laser proximity	26
S50-MH-5-C01-PP	952022000	laser proximity	26
S50-MH-5-F01-NN	952022050	laser receiver	8
S50-MH-5-F01-PP	952022040	laser receiver	8
S50-MH-5-G00-XG	952022070	laser emitter	8

MODEL CODING TABLE

S 5 0 - P A - 2 - B 0 1 - N N

HOUSING

P = plastic flat
M = metal cylindrical

CONNECTION

2 = cable
5 = M12 connector

SETTING

0 = fixed
1 = trimmer
3 = teach-in push-button

OPTIC FUNCTION

refer to **MODEL ALPHABETICAL INDEX**

OPTICS

A = axial
H = laser radial
L = laser axial
R = radial
S = lateral

INPUTS / OUTPUTS

NN = NPN NO-NC outputs
PP = PNP NO-NC outputs
XG = no output - test input
VK = 0 - 10 Vdc output with dir/inv sel. input

Note: Not all code combinations are available. Please refer to alphabetical model index for the list of available models.



Distributed by:

HEADQUARTERS

DATASENSOR SpA

via Lavino, 265 - 40050 Monte San Pietro, BO - Italy
Tel. +39 051/6765611 • Fax +39 051/6759324
www.datasensor.com • e-mail info@datasensor.com

Datasensor SpA endeavours to continuously improve and renew its products; for this reason the technical data and contents of this catalogue may undergo variations without prior notice. For correct installation and use Datasensor SpA can guarantee only the data indicated in the instruction manual supplied with the products.

UNIVERSAL TUBULAR SENSORS